
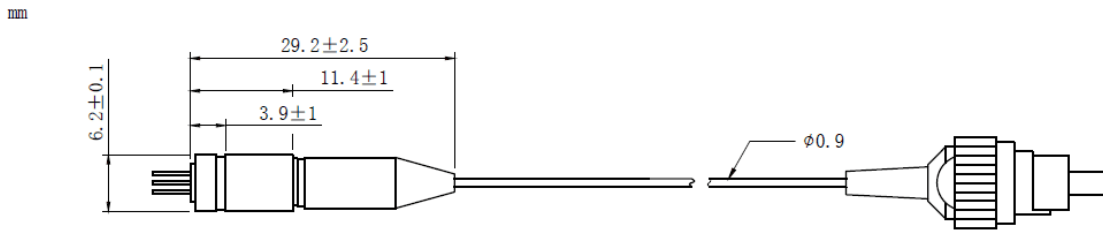


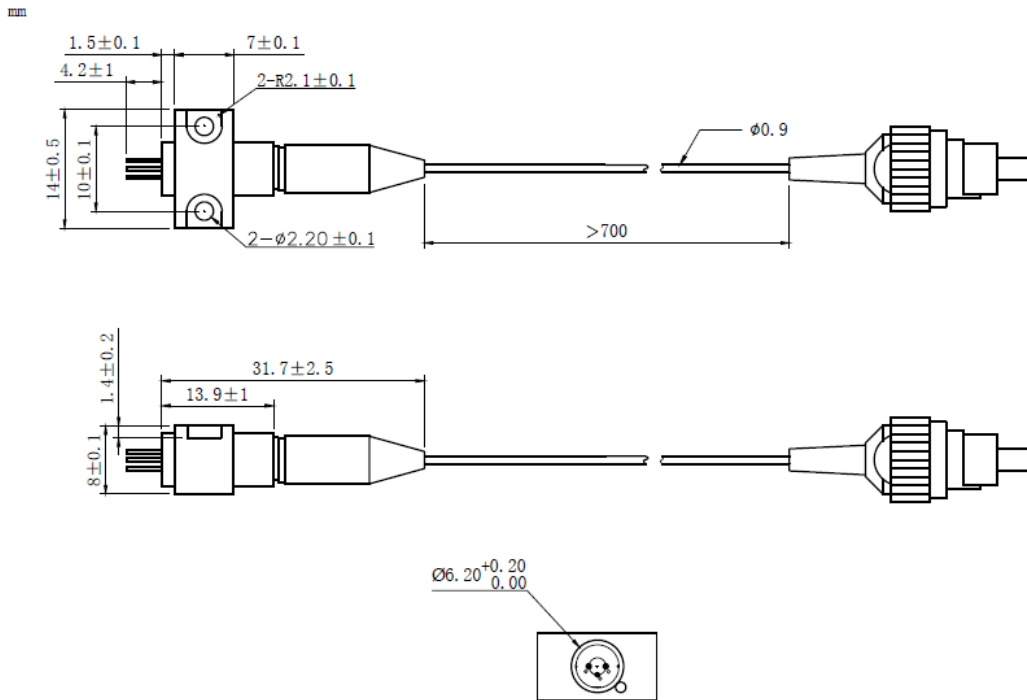
405nm 15mW~20mW SM Coaxial Pigtailed Laser Diode | Built-in Photodiode
405nm 15mW Fiber Coupled LD with Single Mode Fiber | Violet Diode Laser Module with PD
RWLP-405-015m-4-PD

405nm Pigtailed Diode Laser		15mW/SMF	
PARAMETER	SYMBOL	VALUE	UNIT
Reverse Voltage	V_r	2.0	V
Operating Temperature	T_{op}	-10~+70	°C
Storage Temperature	T_{stg}	-40~+85	°C
Lead soldering temperature (10 sec.)	T_{is}	260	°C
Features: <ul style="list-style-type: none"> • 405nm • 3um SM Fiber • Coaxial or B82 Package • Built-in Photodiode 			
Applications: <ul style="list-style-type: none"> • Medical Laser Treatment • Printing • Others 			
Specifications	RWLP-405-015m-4-PD		
	Min	Type	Max
Center Wavelength@25°C	±5nm	405nm	±10nm
Spectral Width (FWHM)	----	2.0nm	----
Output Power	----	15mW	----
Fiber Core	3um		
Recommended Operating Temperature	25°C		
Monitor Current	----	0.3mA	----
PD MAX Reverse Voltage	----	----	30V
Fiber Connector	FC/SC/SMA905		
Fiber Length	>80cm		
Threshold Current	----	35mA	70mA
Operating Current	----	90mA	110mA
Operating Voltage	----	5.0V	6.0V
Package Style	Coaxial or B82		
PD	Built-in		

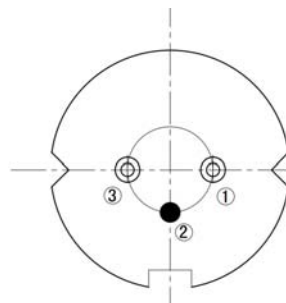
Coaxial Package View: (Part Number: RWLP-405-015m-4-PD)



B82 Package View: (Part Number: RWLP-405-015m-4-B-PD)



PIN Bottom View:



1	LD(-)
2	LD(+)&PD(-)
3	PD(+)

Electrically shorten LD module and store in non-extreme conditions.

Suggest using the constant current power supply.

