
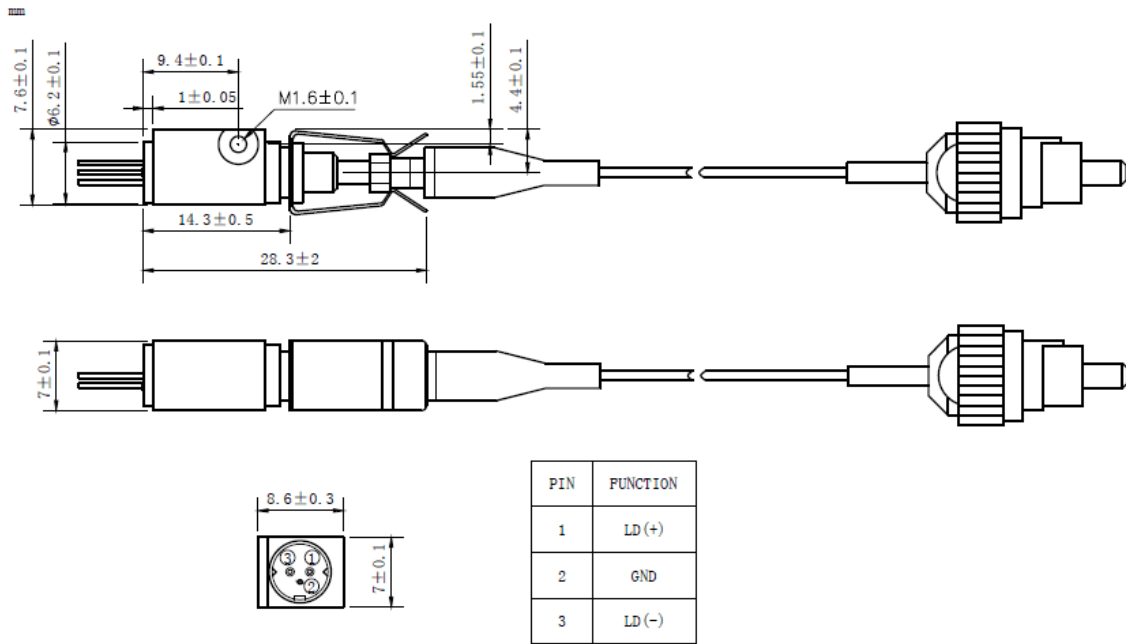


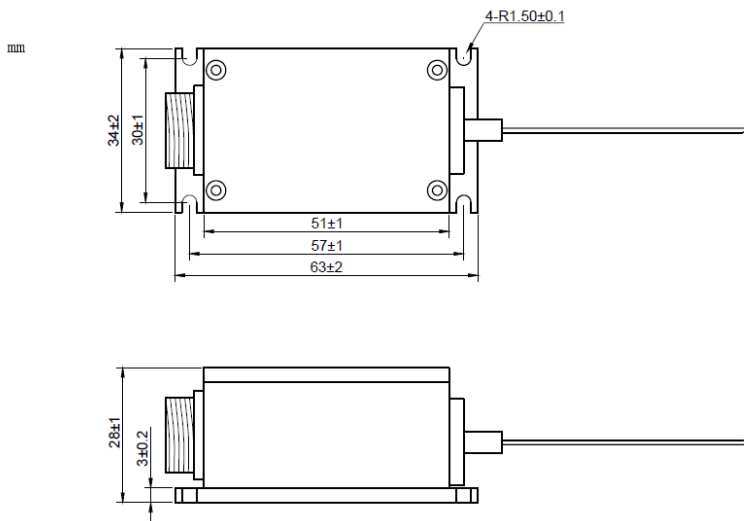
445nm~450nm 1W Fiber Coupled Diode Laser with MM Fiber | 105um Fiber | Blue Laser
445nm 1W Multi-mode Pigtailed LD Module | Coaxial Package | Built-in TEC cooler Optional
RWLP-445-001-M

445nm Pigtailed Diode Laser		1W/MM Fiber	
PARAMETER	SYMBOL	VALUE	UNIT
Reverse Voltage	V_r	2.0	V
Operating Temperature	T_{op}	0~ +70	°C
Storage Temperature	T_{stg}	-40~ +85	°C
Lead soldering temperature (10 sec.)	T_{is}	260	°C
Features: <ul style="list-style-type: none"> ● 450nm ● CW Mode ● Coaxial or HHL-01 Package ● Fiber Receptacle Optional 			
Applications: <ul style="list-style-type: none"> ● Medical Laser Treatment ● Printing ● Others 			
Specifications	RWLP-445-001-M		
	Min	Type	Max
Center Wavelength@25°C	450nm±10nm		
Spectral Width (FWHM)	----	2.0nm	----
Output Power	----	1W	----
Recommend Operating Temperature	25°C		
Fiber Type	Multi-mode Fiber		
Fiber Core	105um		
Threshold Current (Typ.)	----	0.3A	0.6A
Operating Current (Typ.)	----	1.4A	1.6A
Operating Voltage	----	5.5V	7.0V
Fiber Length	>80cm		
Fiber Connector	FC/SC/SMA905		
Package Style	Coaxial or HHL-01		
TEC cooler	Optional		

Coaxial Package View: (Part Number: RWLP-445-001-M)



HHL-01 Package View (Built-in TEC cooler): (Part Number: RWLX-445-001-M-H-T)



Electrically shorten LD module and store in non-extreme conditions.
Suggest using the constant current power supply.

