
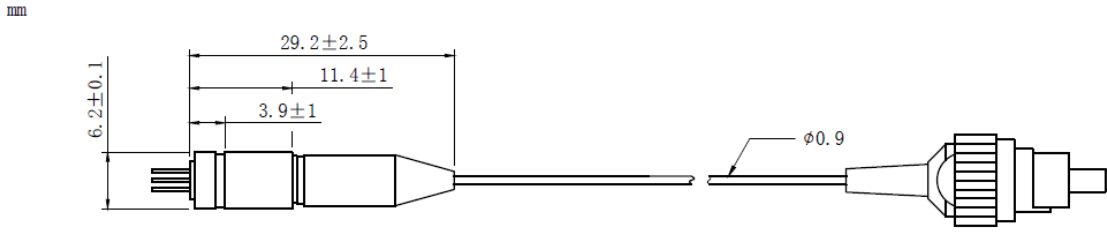


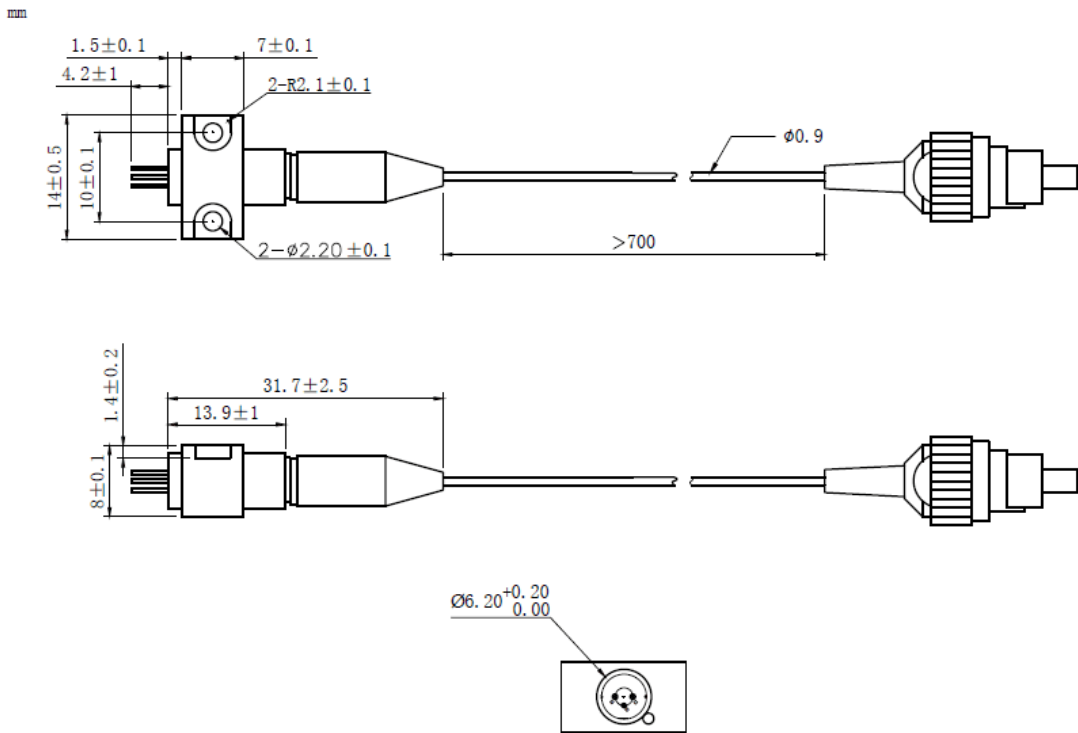
445nm~450nm 30mW Coaxial Pigtailed Laser Diode with PMF | Blue Laser Module
450nm 30mW PM Fiber Coupled LD | 3um Polarization Maintaining (SM Fiber)
RWLP-445-030m-PM

| 450nm Pigtailed Diode Laser 30mW/PMF | | | |
|--|--|---------|-------|
| PARAMETER | SYMBOL | VALUE | UNIT |
| Reverse Voltage | V_r | 2.0 | V |
| Operating Temperature | T_{op} | -10~+70 | °C |
| Storage Temperature | T_{stg} | -40~+85 | °C |
| Lead soldering temperature (10 sec.) | T_{is} | 260 | °C |
| Features: <ul style="list-style-type: none"> ● 450nm ● PM Fiber ● High Reliability ● High Polarization Extinction Ratio Applications: <ul style="list-style-type: none"> ● Medical Laser Treatment ● Biotechnology ● Others |  | | |
| Specifications | RWLP-445-030m-PM | | |
| | Min | Type | Max |
| Center Wavelength@25°C | 440nm | 450nm | 460nm |
| Spectral Width (FWHM) | ---- | 2.0nm | ---- |
| Output Power | ---- | 30mW | ---- |
| Fiber Type | Polarization Maintaining Fiber | | |
| Fiber Core | 3um | | |
| Recommend Operating Temperature | 25°C | | |
| Fiber Connector | FC/APC | | |
| Polarization Extinction Ratio | 13dB | 15dB | |
| Fiber Length | ---- | 80cm | 100cm |
| Threshold Current | ---- | 25mA | 60mA |
| Operating Current | ---- | 140mA | 160mA |
| Operating Voltage | ---- | 6.0V | 7.0V |
| Package Style | Coaxial or B82 | | |
| High Polarization Extinction Ratio (PER) Version Laser Module is also available, please contact us. | | | |

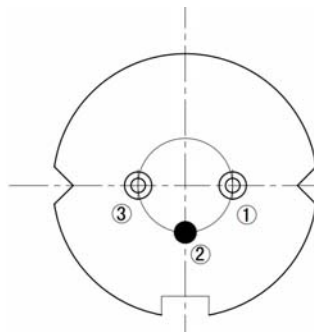
Coaxial Package View: (Part Number: RWLP-445-030m-PM)



B82 Package View: (Part Number: RWLP-445-030m-PM-B)



PIN Bottom View:



| | |
|---|-------|
| 1 | LD(+) |
| 2 | GND |
| 3 | LD(-) |

Electrically shorten LD module and store in non-extreme conditions.
Suggest using the constant current power supply.

