
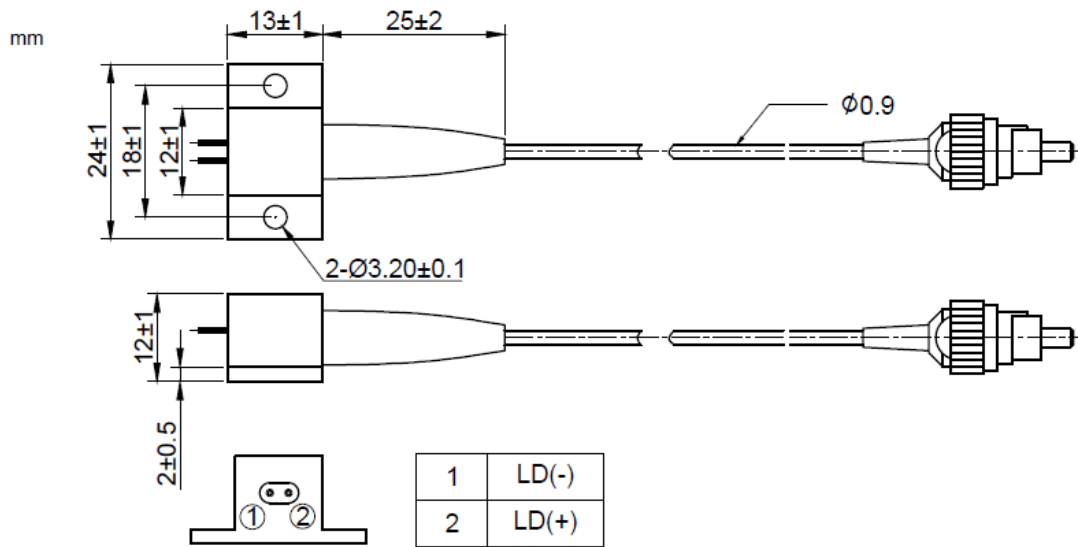


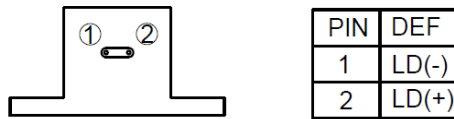
455nm 3W 50um Fiber Coupled Diode Laser Module| TEC Cooling Optional | Blue Laser Diode
450nm~455nm 3W~3.5W Pigtailed Laser Diode| 50um, 105um, 200um, 400um MM Fiber
RWLP-455-003-50M

| 455nm Pigtailed Diode Laser | | 3W/MM Fiber | |
|--|--|-------------|------|
| PARAMETER | SYMBOL | VALUE | UNIT |
| MAX Reverse Current | I_r | 80 | mA |
| Operating Temperature | T_{op} | 0~+60 | °C |
| Storage Temperature | T_{stg} | -40~+85 | °C |
| Lead soldering temperature (10 sec.) | T_{is} | 260 | °C |
| Features: <ul style="list-style-type: none"> • 455nm • B7 Package • TEC Cooling Optional • Photodiodes Optional |  | | |
| Applications: <ul style="list-style-type: none"> • Medical Laser Treatment • Laser Show • Others | | | |
| Specifications | RWLP-455-003-50M | | |
| | Min | Type | Max |
| Center Wavelength@25°C | 455nm±10nm | | |
| Spectral Width (FWHM) | ---- | 3.0nm | ---- |
| Output Power | ---- | 3W | ---- |
| Fiber Core | 50um | | |
| Numerical aperture | 0.22 | | |
| Recommended Operating Temperature | 25°C | | |
| Fiber Connector | FC/ST/SMA905 | | |
| Fiber Length | >80cm | | |
| Threshold Current (Typ.) | ---- | 0.2A | 0.6A |
| Operating Current (Typ.) | ---- | 3.2A | 3.5A |
| Operating Voltage | ---- | 4.5V | 5.5V |
| Package Style | B7 | | |
| Built-in Photodiode | Optional | | |
| Built-in TEC Cooling | Optional | | |

B7 Package View:



PIN Bottom View:



Electrically shorten LD module and store in non-extreme conditions.
Suggest using the constant current power supply.

