
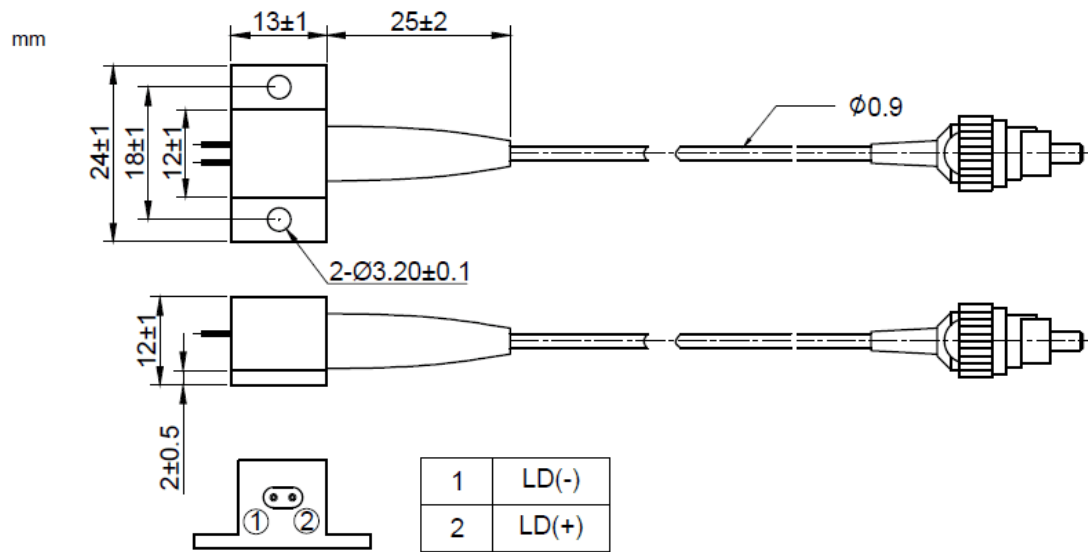


**520nm 700mW~800mW Fiber Coupled Diode Laser Module| Green Laser Diode  
515nm~520nm 800mW Pigtailed Laser Diode| With 50um Multi-mode Fiber |PD Optional  
RWLP-520-800m-50M**

520nm Pigtailed Diode Laser		800mW/MM Fiber	
PARAMETER	SYMBOL	VALUE	UNIT
MAX Reverse Current	$I_r$	80	mA
Operating Temperature	$T_{op}$	0~ +60	°C
Storage Temperature	$T_{stg}$	-40~ +85	°C
Lead soldering temperature (10 sec.)	$T_{is}$	260	°C
<b>Features:</b> <ul style="list-style-type: none"> <li>● 520nm</li> <li>● 50um Multi-mode Fiber</li> <li>● TEC Cooling Optional</li> <li>● Photodiodes Optional</li> </ul>			
<b>Applications:</b> <ul style="list-style-type: none"> <li>● Medical Laser Treatment</li> <li>● Laser Show</li> <li>● Others</li> </ul>			
<b>Specifications</b>	<b>RWLP-520-800m-50M</b>		
	Min	Type	Max
Center Wavelength@25°C	510nm	520nm	535nm
Spectral Width (FWHM)	----	2.0nm	----
Output Power	700mW	800mW	----
Recommended Operating Temperature	25°C		
Threshold Current (Typ.)	----	0.2A	0.5A
Operating Current (Typ.)	----	1.6A	1.8A
Operating Voltage	----	5.0V	6.0V
Fiber Core	50um		
Numerical Aperture	0.22		
Fiber Length	>80cm		
Fiber Connector	FC/ST/SMA905		
Package Style	B7		
Built-in Photodiode	Optional		
Built-in TEC Cooling	Optional		

**B7 Package View:**



Electrically shorten LD module and store in non-extreme conditions.

Suggest using the constant current power supply.

