
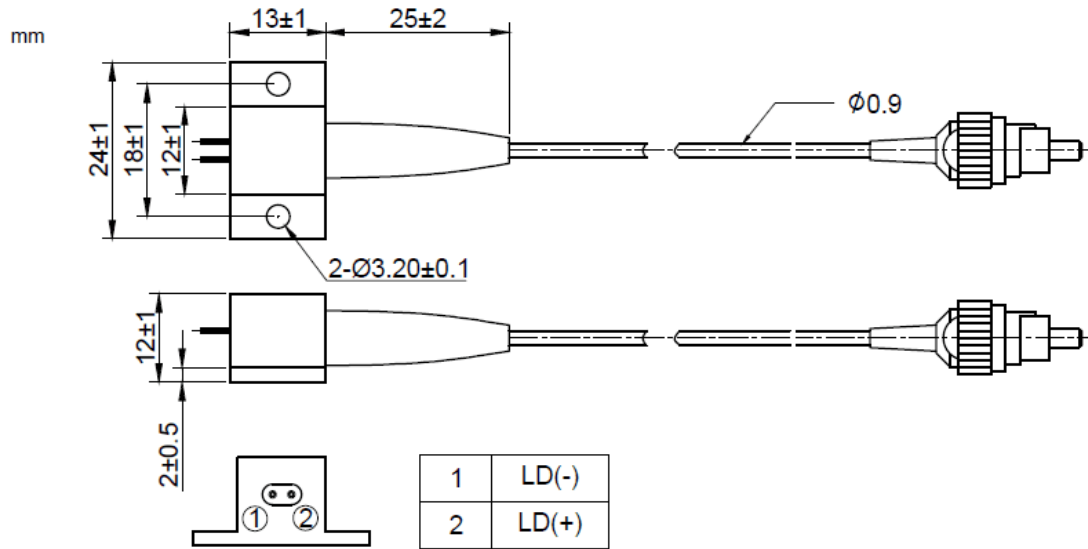


525nm~530nm 1W Fiber Coupled Diode Laser Module| Green Laser Diode
515nm~520nm 1000mW Pigtailed Laser Diode| With 50um Multi-mode Fiber |PD Optional
RWLP-525-001-50M

525nm Pigtailed Diode Laser		1W/MM Fiber	
PARAMETER	SYMBOL	VALUE	UNIT
MAX Reverse Current	I_r	80	mA
Operating Temperature	T_{op}	0~ +60	°C
Storage Temperature	T_{stg}	-40~ +85	°C
Lead soldering temperature (10 sec.)	T_{is}	260	°C
Features: <ul style="list-style-type: none"> ● 525nm ● 50um Multi-mode Fiber ● TEC Cooling Optional ● Photodiodes Optional 			
Applications: <ul style="list-style-type: none"> ● Medical Laser Treatment ● Laser Show ● Others 			
Specifications	RWLP-525-001-50M		
	Min	Type	Max
Center Wavelength@25°C	525nm±10nm		
Spectral Width (FWHM)	----	3.0nm	----
Output Power	----	1W	----
Recommended Operating Temperature	25°C		
Threshold Current (Typ.)	----	0.2A	0.6A
Operating Current (Typ.)	----	2.1A	2.3A
Operating Voltage	----	5.0V	6.0V
Fiber Core	50um		
Numerical Aperture	0.22		
Fiber Length	>80cm		
Fiber Connector	FC/ST/SMA905		
Package Style	B7		
Built-in Photodiode	Optional		
Built-in TEC Cooling	Optional		

B7 Package View:



Electrically shorten LD module and store in non-extreme conditions.

Suggest using the constant current power supply.

