
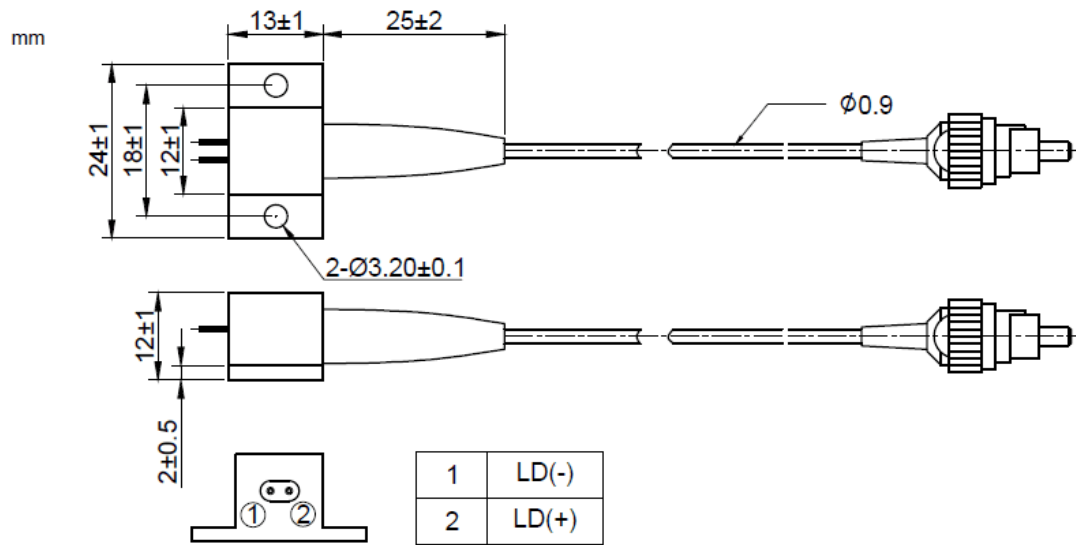


**532nm 1W Fiber Coupled Diode Laser Module| Green Laser Diode**  
**530nm~532nm 1W Pigtailed Laser Diode| 50um MM Fiber| PD Optional**  
**RWLP-532-001-50M**

532nm Pigtailed Diode Laser		1W/MM Fiber	
PARAMETER	SYMBOL	VALUE	UNIT
MAX Reverse Current	$I_r$	80	mA
Operating Temperature	$T_{op}$	0~ +60	°C
Storage Temperature	$T_{stg}$	-40~ +85	°C
Lead soldering temperature (10 sec.)	$T_{is}$	260	°C
<b>Features:</b> <ul style="list-style-type: none"> <li>● 532nm</li> <li>● B7 Package</li> <li>● TEC Cooling Optional</li> <li>● Photodiodes Optional</li> </ul>			
<b>Applications:</b> <ul style="list-style-type: none"> <li>● Medical Laser Treatment</li> <li>● Laser Show</li> <li>● Others</li> </ul>			
<b>Specifications</b>	<b>RWLP-532-001-50M</b>		
	Min	Type	Max
Center Wavelength@25°C	532nm±10nm		
Spectral Width (FWHM)	----	3.0nm	----
Output Power	----	1W	----
Fiber Core	50um		
Numerical Aperture	0.22		
Recommended Operating Temperature	25°C		
Fiber Connector	FC/ST/SMA905		
Fiber Length	>80cm		
Threshold Current (Typ.)	----	0.2A	0.6A
Operating Current (Typ.)	----	2.1A	2.3A
Operating Voltage	----	5.0V	6.0V
Package Style	B7		
Built-in Photodiode	Optional		
Built-in TEC Cooling	Optional		

**B7 Package View:**



Electrically shorten LD module and store in non-extreme conditions.  
Suggest using the constant current power supply.

