

**635nm 1W High Power Fiber Coupled Laser Diode Module With 105um multi-mode Fiber**

**635nm~638nm Pigtailed Diode Laser Module | High Power Red LD Module**

**RWLP-635-001-M**

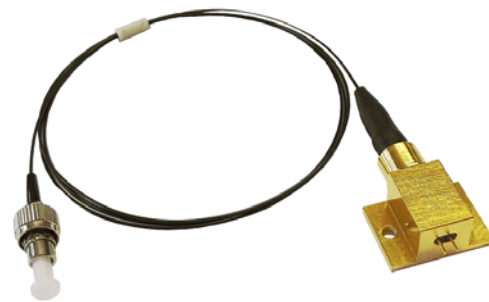
PARAMETER	SYMBOL	VALUE	UNIT
MAX Reverse Voltage	$V_r$	2.0	V
Operating Temperature	$T_{op}$	0 ~ +40	°C
Storage Temperature	$T_{stg}$	-40 ~ +85	°C
Lead soldering temperature (10 sec.)	$T_{is}$	260	°C

**Features:**

- 638nm
- 1W Output Power
- Compact Size
- Built-in PD Optional

**Applications:**

- Medical Laser Treatment
- Laser Show
- Others

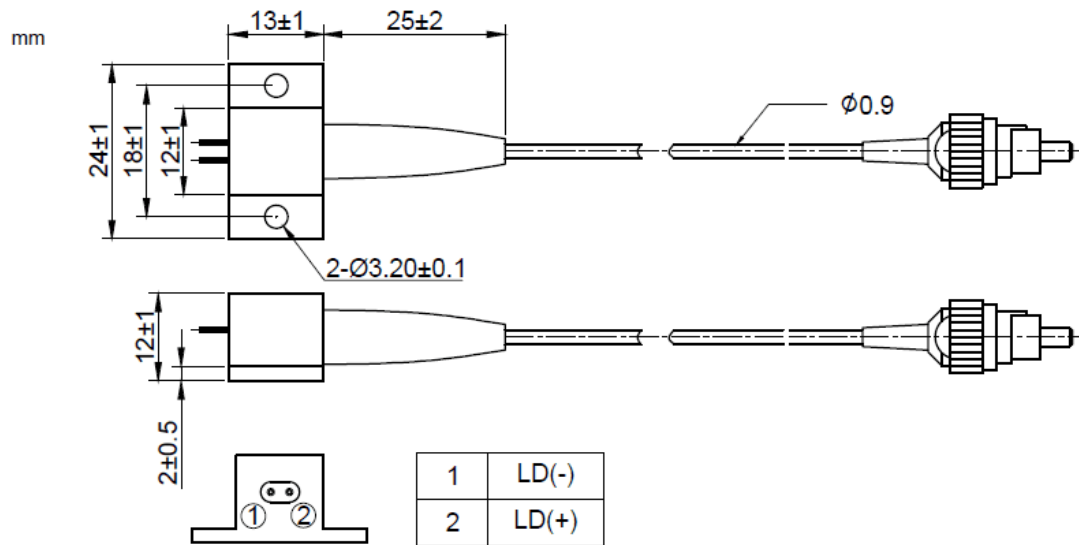


**Specifications**

**RWLP-635-001-M**

	Min	Type	Max
Center Wavelength@25°C	630nm	638nm	645nm
Spectral Width (FWHM)	----	2.0nm	----
Temperature Coefficient of Wavelength	----	0.2nm / °C	----
Output Power	0.9W	1W	----
Recommended Case Temperature	25°C		
Threshold Current (Typ.)	----	0.3A	----
Operating Current (Typ.)	----	1.5A	----
Operating Voltage	----	2.4V	----
Fiber Core Diameter	105um (200um Optional)		
N.A.	0.22		
Fiber Length	>80cm		
Connector Type	FC(SMA905 Optional)		
Package Style	B7 Package		

**B7 Package View:**



Electrically shorten LD module and store in non-extreme conditions.  
Suggest using the constant current power supply.

