


**635nm 10mW~15mW PM Fiber Coupled Laser Diode with Coaxial Package | Red Laser Diode**  
**635nm~638nm 10mW Coaxial Pigtailed LD with Polarization Maintaining Fiber (SM Fiber)**  
**RWLP-635-010m-PM-PD**

| 635nm Pigtailed Diode Laser  |  | 10mW/PM Fiber |       |
|--|--|---------------|-------|
| PARAMETER  | SYMBOL   | VALUE         | UNIT  |
| Reverse Voltage  | $V_r$  | 2.0           | V     |
| Operating Temperature  | $T_{op}$   | -10~+50       | °C    |
| Storage Temperature  | $T_{stg}$  | -40~+85       | °C    |
| Lead soldering temperature (10 sec.)   | $T_{is}$   | 260           | °C    |
| <b>Features:</b> <ul style="list-style-type: none"> <li>● 635nm</li> <li>● PM Fiber</li> <li>● High Reliability</li> <li>● High Polarization Extinction Ratio</li> </ul> <b>Applications:</b> <ul style="list-style-type: none"> <li>● Biological Instruments</li> <li>● Analytical Equipment</li> <li>● Others</li> </ul> |  |               |       |
| <b>Specifications</b>  | <b>RWLP-635-010m-PM-PD</b>   |               |       |
|  | Min  | Type          | Max   |
| Center Wavelength@25°C   | 630nm  | 638nm         | 645nm |
| Recommended work Temperature   | 25°C   |               |       |
| Output Power   | ----   | 10mW          | ----  |
| Fiber Type   | Polarization Maintaining Fiber   |               |       |
| Fiber Core   | 4um  |               |       |
| Polarization Extinction Ratio  | 13dB   | 15dB          | ----  |
| Monitor Current  | ----   | 0.3mA         | ----  |
| Fiber Connector  | FC/APC   |               |       |
| Fiber Length   | ----   | 80cm          | 100cm |
| Threshold Current  | ----   | 45mA          | 60mA  |
| Operating Current  | ----   | 100mA         | 120mA |
| Operating Voltage  | ----   | 2.6V          | 3.0V  |
| Package Style  | Coaxial or B82   |               |       |
| High Polarization Extinction Ratio (PER) Version Laser Module is also available, please contact us.  |  |               |       |

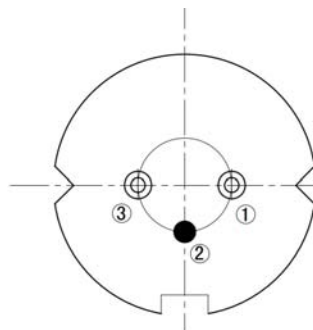
**Coaxial Package View: (Part Number: RWLP-635-010m-PM-PD)**



**B82 Package View: (Part Number: RWLP-635-010m-PM-B-PD)**



**PIN Bottom View:**



|   |             |
|---|-------------|
| 1 | LD(-)       |
| 2 | LD(+)&PD(-) |
| 3 | PD(+)       |

Electrically shorten LD module and store in non-extreme conditions.  
Suggest using the constant current power supply.

