
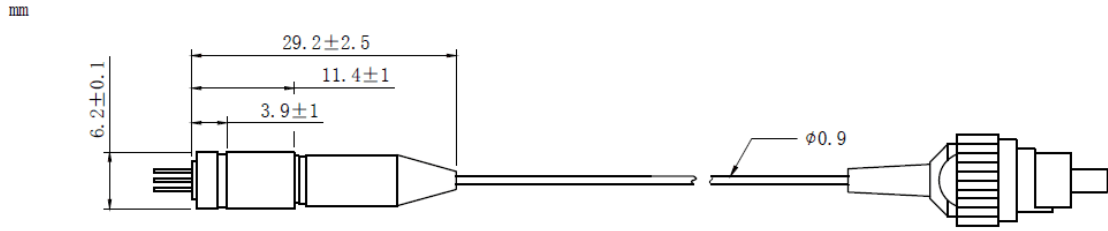


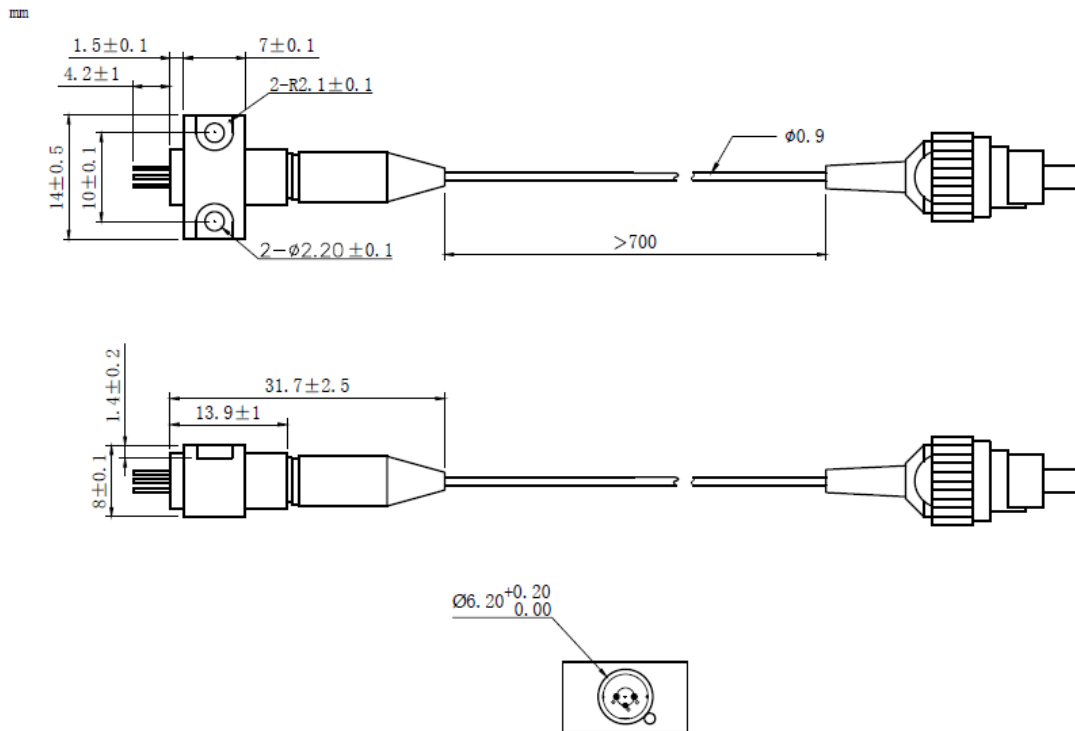
635nm~638nm 20mW~30mW MM Fiber Coupled LD Module | Red Laser Module
635nm 20mW Coaxial Pigtailed Laser Diode with Multi-mode Fiber | With Photodiode
RWLP-635-020m-M-PD

635nm Pigtailed Diode Laser 20mW/MM Fiber			
PARAMETER	SYMBOL	VALUE	UNIT
MAX Reverse Voltage	V_r	2.0	V
Operating Temperature	T_{op}	-10~+50	°C
Storage Temperature	T_{stg}	-40~+85	°C
Lead soldering temperature (10 sec.)	T_{is}	260	°C
Features: <ul style="list-style-type: none"> ● 638nm ● MM Fiber ● Coaxial or B82 Package 			
Applications: <ul style="list-style-type: none"> ● Medical Laser Treatment ● Aiming Beam ● Others 			
Specifications	RWLP-635-020m-M-PD		
	Min	Type	Max
Center Wavelength@25°C	630nm	638nm	645nm
Recommended work Temperature	25°C		
Output Power	----	20mW	----
Fiber Core	105um		
Numerical Aperture	0.22		
Monitor Current	----	0.2mA	----
PD Reverse Voltage	----	----	30V
Fiber Connector	FC/SC/SMA905		
Fiber Length	>80cm		
Threshold Current (Typ.)	----	40mA	65mA
Operating Current (Typ.)	----	80mA	90mA
Operating Voltage	----	2.5V	3.0V
Package Style	Coaxial or B82		

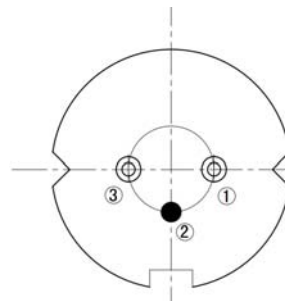
Coaxial Package View: (Part Number: RWLP-635-020m-M-PD)



B82 Package View: (Part Number: RWLP-635-020m-M-B-PD)



PIN Bottom View:



1	LD(-)
2	LD(+)&PD(-)
3	PD(+)

Electrically shorten LD module and store in non-extreme conditions.
Suggest using the constant current power supply.

