


635nm 100mW PM Fiber Coupled Laser Diode with Coaxial Package | Red Laser Diode
635nm~638nm 100mW High Power Coaxial Pigtailed LD with Polarization Maintaining Fiber
RWLP-635-100m-PM-PD

| 635nm Pigtailed Diode Laser | | 100mW/PM Fiber | |
|--|--|----------------|-------|
| PARAMETER | SYMBOL | VALUE | UNIT |
| Reverse Voltage | V_r | 2.0 | V |
| Operating Temperature | T_{op} | -10~+60 | °C |
| Storage Temperature | T_{stg} | -40~+85 | °C |
| Lead soldering temperature (10 sec.) | T_{is} | 260 | °C |
| Features: <ul style="list-style-type: none"> 635nm PM Fiber High Reliability High Polarization Extinction Ratio Applications: <ul style="list-style-type: none"> Biological Instruments Analytical Equipment Others |  | | |
| Specifications | RWLP-635-100m-PM-PD | | |
| | Min | Type | Max |
| Center Wavelength@25°C | 630nm | 638nm | 645nm |
| Recommended work Temperature | 25°C | | |
| Output Power | ---- | 100mW | ---- |
| Fiber Type | Polarization Maintaining Fiber | | |
| Fiber Core | 4um | | |
| Polarization Extinction Ratio | 13dB | 15dB | ---- |
| Monitor Current | ---- | 0.3mA | ---- |
| Fiber Connector | FC/APC | | |
| Fiber Length | ---- | 80cm | 100cm |
| Threshold Current | ---- | 70mA | 100mA |
| Operating Current | ---- | 280mA | 300mA |
| Operating Voltage | ---- | 2.8V | 3.5V |
| Package Style | Coaxial or B82 | | |
| High Polarization Extinction Ratio (PER) Version Laser Module is also available, please contact us. | | | |

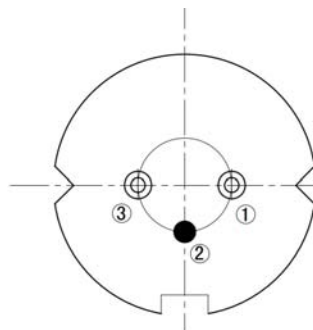
Coaxial Package View: (Part Number: RWLP-635-100m-PM-PD)



B82 Package View: (Part Number: RWLP-635-100m-PM-B-PD)



PIN Bottom View:



| | |
|---|-------------|
| 1 | LD(-) |
| 2 | LD(+)&PD(-) |
| 3 | PD(+) |

Electrically shorten LD module and store in non-extreme conditions.
Suggest using the constant current power supply.

