
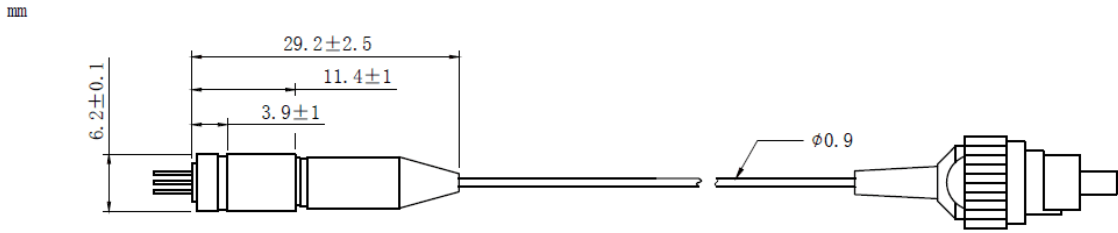


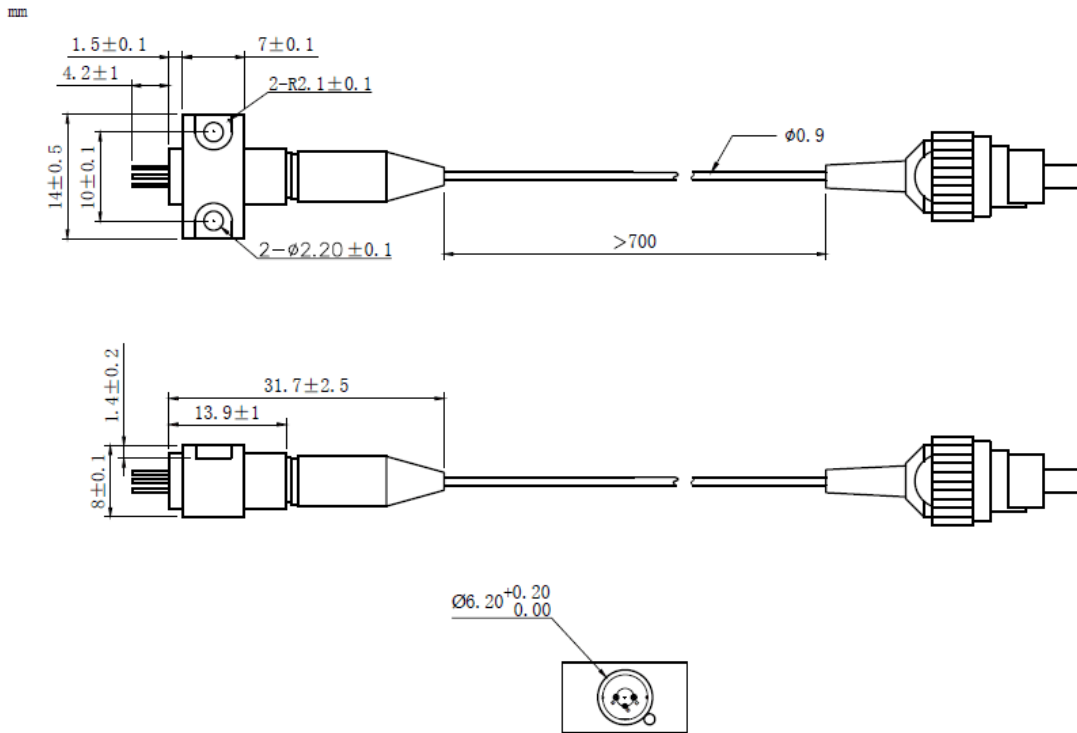
685nm 10mW~15mW PM Fiber Coupled Laser Diode with Coaxial Package | Red Laser Diode
685nm~690nm 10mW Coaxial Pigtailed LD with Polarization Maintaining Fiber (SM Fiber)
RWLP-685-010m-PM-PD

685nm Pigtailed Diode Laser		10mW/PM Fiber	
PARAMETER	SYMBOL	VALUE	UNIT
Reverse Voltage	V_r	2.0	V
Operating Temperature	T_{op}	-10~+60	°C
Storage Temperature	T_{stg}	-40~+85	°C
Lead soldering temperature (10 sec.)	T_{is}	260	°C
Features: <ul style="list-style-type: none"> ● 685nm ● PM Fiber ● High Reliability ● High Polarization Extinction Ratio Applications: <ul style="list-style-type: none"> ● Biological Instruments ● Analytical Equipment ● Others 			
Specifications	RWLP-685-010m-PM-PD		
	Min	Type	Max
Center Wavelength@25°C	±5nm	685nm	±15nm
Recommended work Temperature	25°C		
Output Power	----	10mW	----
Fiber Type	Polarization Maintaining Fiber		
Fiber Core	4um		
Polarization Extinction Ratio	13dB	15dB	----
Monitor Current	----	0.3mA	----
Fiber Connector	FC/APC		
Fiber Length	----	80cm	100cm
Threshold Current (Typ.)	----	30mA	60mA
Operating Current (Typ.)	----	100mA	120mA
Operating Voltage	----	2.7V	3.0V
Package Style	Coaxial or B82		
High Polarization Extinction Ratio (PER) Version Laser Module is also available, please contact us.			

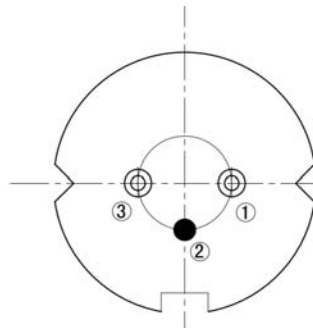
Coaxial Package View: (Part Number: RWLP-685-010m-PM-PD)



B82 Package View: (Part Number: RWLP-685-010m-PM-B-PD)



PIN Bottom View:



1	LD(-)
2	LD(+)&PD(-)
3	PD(+)

Electrically shorten LD module and store in non-extreme conditions.
Suggest using the constant current power supply.

