


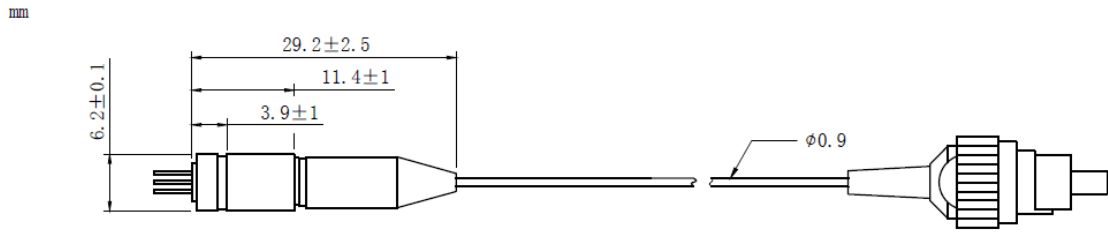
820nm 30mW~40mW Single Mode Fiber Coupled LD with 5um SMF | Built-in Photodiode

820nm 30mW SM Coaxial Pigtailed Laser Diode with SMF | With PD

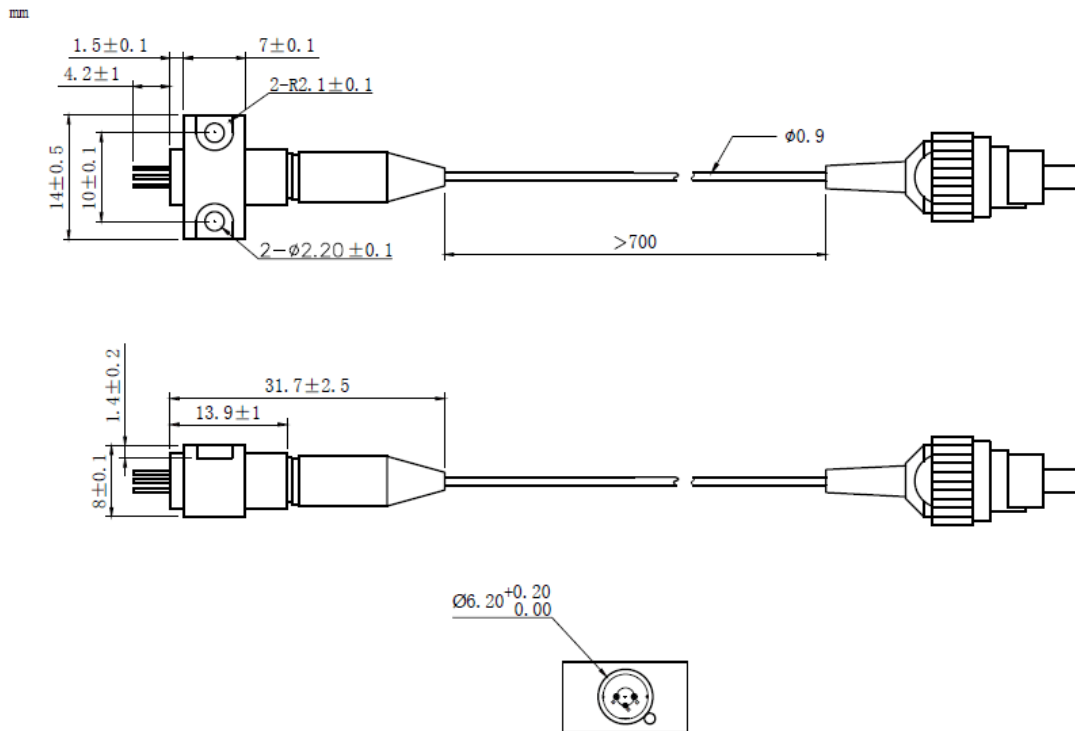
RWLP-820-030m-4-PD

820nm Pigtailed Diode Laser		30mW/SM Fiber	
PARAMETER	SYMBOL	VALUE	UNIT
Reverse Voltage	V_r	2.0	V
Operating Temperature	T_{op}	-10~+60	°C
Storage Temperature	T_{stg}	-40~+85	°C
Lead soldering temperature (10 sec.)	T_{is}	260	°C
Features: <ul style="list-style-type: none"> ● 820nm ● With SM Fiber ● Coaxial or B82 Package ● Built-in PD 			
Applications: <ul style="list-style-type: none"> ● Medical Laser Treatment ● Others 			
Specifications	RWLP-820-030m-4-PD		
	Min	Type	Max
Center Wavelength@25°C	820nm±10nm		
Recommended Operating Temperature	25°C		
Output Power	----	30mW	----
Fiber Type	Single Mode Fiber		
Fiber Core	5um		
Monitor Current	----	0.3mA	----
PD Reverse Voltage	----	----	30V
Fiber Connector	FC/SC/SMA905		
Fiber Length	>80cm		
Threshold Current (Typ.)	----	30mA	55mA
Operating Current (Typ.)	----	170mA	190mA
Operating Voltage	----	1.8V	2.5V
Package Style	Coaxial or B82		
PD	Built-in		

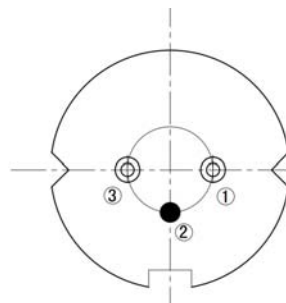
Coaxial Package View: (Part Number: RWLP-820-030m-4-PD)



B82 Package View: (Part Number: RWLP-820-030m-4-B-PD)



PIN Bottom View:



1	LD(-)
2	LD(+)&PD(-)
3	PD(+)

Electrically shorten LD module and store in non-extreme conditions.
Suggest using the constant current power supply.

