
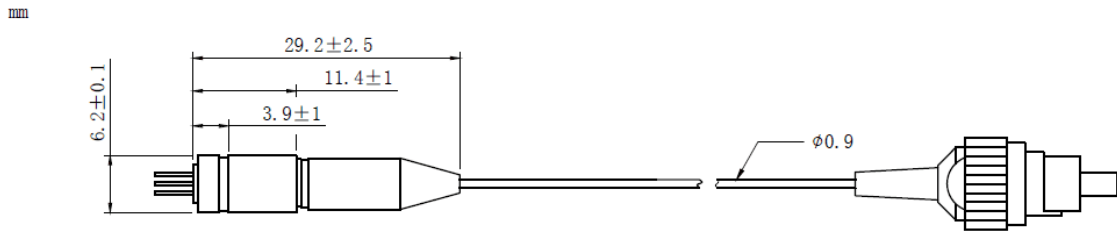


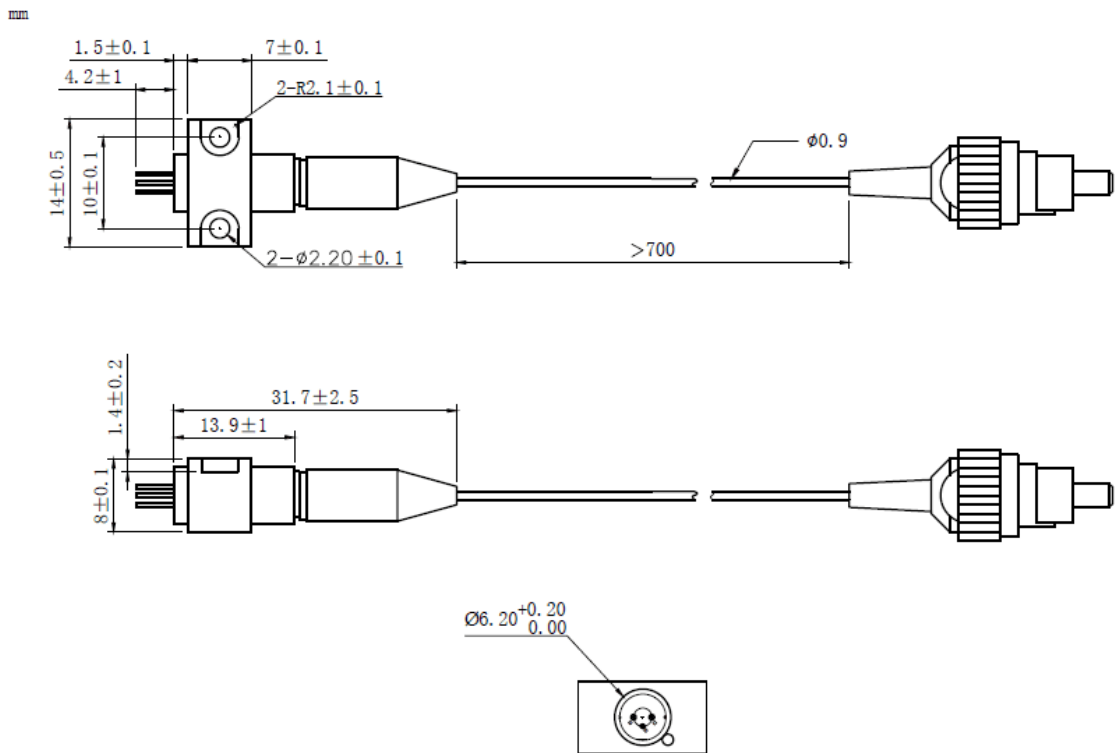
**820nm~830nm 30mW PM Fiber Coupled Laser Diode with Coaxial Package | Infrared LD**  
**830nm 30mW~40mW Coaxial Pigtailed LD with Polarization Maintaining Fiber (SM Fiber)**  
**RWLP-830-030m-PM-PD**

830nm Pigtailed Diode Laser		30mW/PM Fiber	
PARAMETER	SYMBOL	VALUE	UNIT
Reverse Voltage	$V_r$	2.0	V
Operating Temperature	$T_{op}$	-10~+60	°C
Storage Temperature	$T_{stg}$	-40~+85	°C
Lead soldering temperature (10 sec.)	$T_{is}$	260	°C
<b>Features:</b> <ul style="list-style-type: none"> <li>● 830nm</li> <li>● PM Fiber</li> <li>● High Reliability</li> <li>● High Polarization Extinction Ratio</li> </ul> <b>Applications:</b> <ul style="list-style-type: none"> <li>● Biological Instruments</li> <li>● Analytical Equipment</li> <li>● Others</li> </ul>			
<b>Specifications</b>	<b>RWLP-830-030m-PM-PD</b>		
	Min	Type	Max
Center Wavelength@25°C	±5nm	830nm	±15nm
Recommended work Temperature	25°C		
Output Power	----	30mW	----
Fiber Type	Polarization Maintaining Fiber		
Fiber Core	5um		
Polarization Extinction Ratio	13dB	15dB	----
Monitor Current	----	0.3mA	----
Fiber Connector	FC/APC		
Fiber Length	----	80cm	100cm
Threshold Current (Typ.)	----	30mA	55mA
Operating Current (Typ.)	----	150mA	170mA
Operating Voltage	----	1.8V	2.5V
Package Style	Coaxial or B82		
High Polarization Extinction Ratio (PER) Version Laser Module is also available, please contact us.			

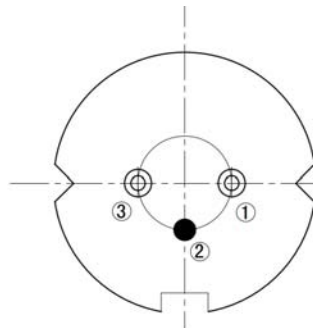
**Coaxial Package View: (Part Number: RWLP-830-030m-PM-PD)**



**B82 Package View: (Part Number: RWLP-830-030m-PM-B-PD)**



**PIN Bottom View:**



1	LD(-)
2	LD(+)&PD(-)
3	PD(+)

Electrically shorten LD module and store in non-extreme conditions.  
Suggest using the constant current power supply.

