
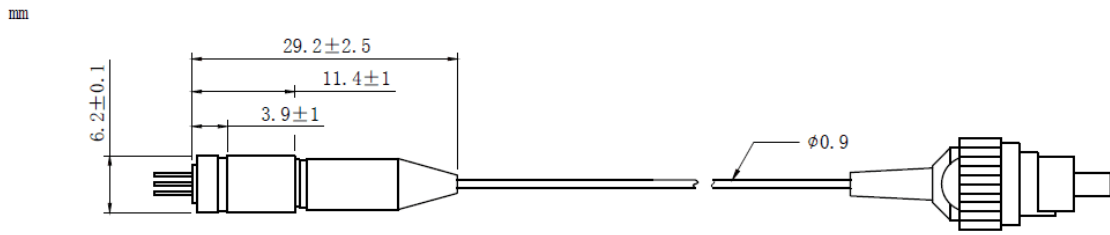


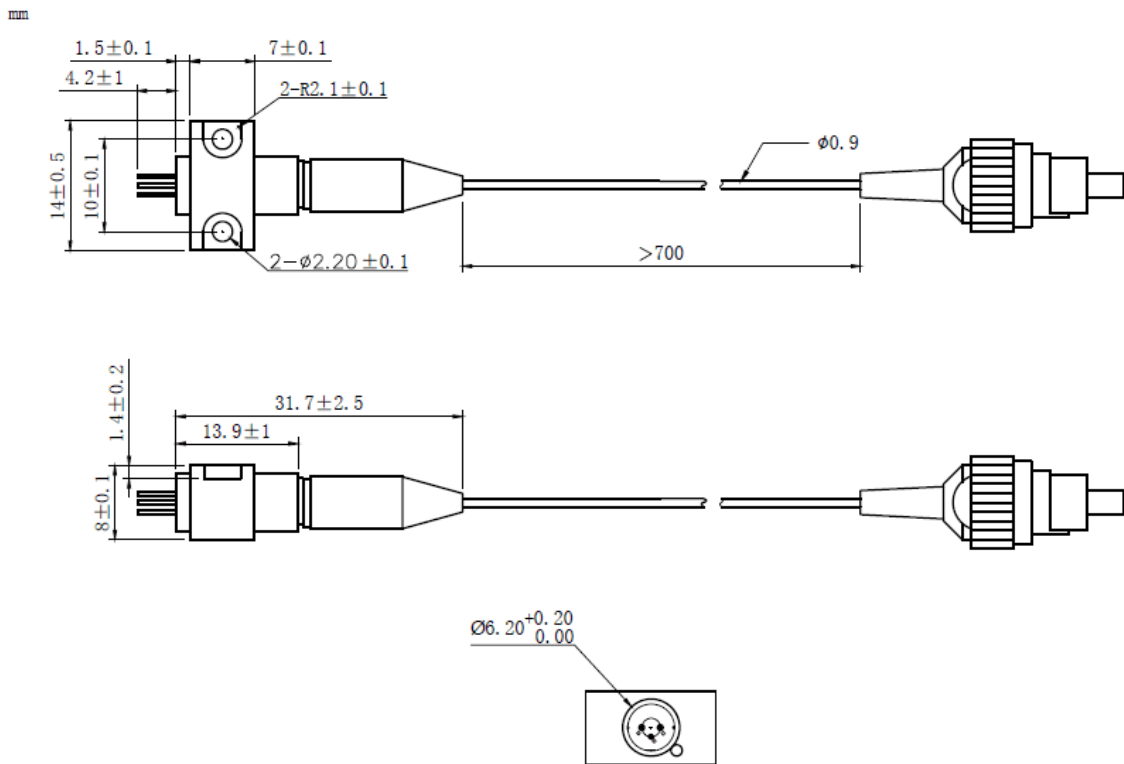
905nm 30mW PM Fiber Coupled Laser Diode with Coaxial Package |Infrared Laser Diode
905nm~915nm 30mW Coaxial Pigtailed LD with Polarization Maintaining Fiber (SM Fiber)
RWLP-905-030m-PM-PD

905nm Pigtailed Diode Laser		30mW/PM Fiber	
PARAMETER	SYMBOL	VALUE	UNIT
Reverse Voltage	V_r	2.0	V
Operating Temperature	T_{op}	-10~+70	°C
Storage Temperature	T_{stg}	-40~+85	°C
Lead soldering temperature (10 sec.)	T_{is}	260	°C
Features: <ul style="list-style-type: none"> ● 905nm ● PM Fiber ● High Reliability ● High Polarization Extinction Ratio Applications: <ul style="list-style-type: none"> ● Biological Instruments ● Analytical Equipment ● Others 			
Specifications	RWLP-905-030m-PM-PD		
	Min	Type	Max
Center Wavelength@25°C	±5nm	905nm	±10nm
Recommended work Temperature	25°C		
Output Power	----	30mW	----
Fiber Type	Polarization Maintaining Fiber		
Fiber Core	5um		
Polarization Extinction Ratio	13dB	15dB	----
Monitor Current	----	0.3mA	----
Fiber Connector	FC/APC		
Fiber Length	----	80cm	100cm
Threshold Current (Typ.)	----	25mA	60mA
Operating Current (Typ.)	----	150mA	170mA
Operating Voltage	----	1.9V	2.4V
Package Style	Coaxial or B82		
High Polarization Extinction Ratio (PER) Version Laser Module is also available, please contact us.			

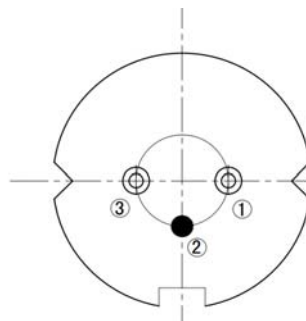
Coaxial Package View: (Part Number: RWLP-905-030m-PM-PD)



B82 Package View: (Part Number: RWLP-905-030m-PM-B-PD)



PIN Bottom View:



PIN 1	LD(-)
PIN 2	LD(+)&PD(-), CASE
PIN 3	PD(+)

Electrically shorten LD module and store in non-extreme conditions.
Suggest using the constant current power supply.

