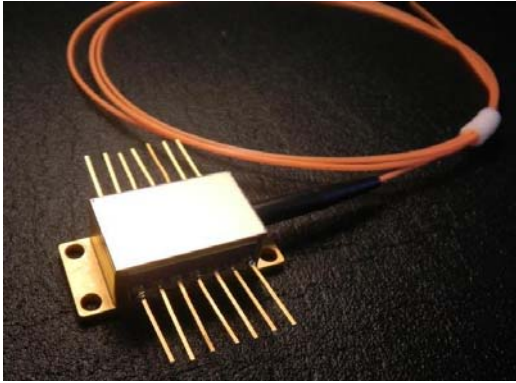
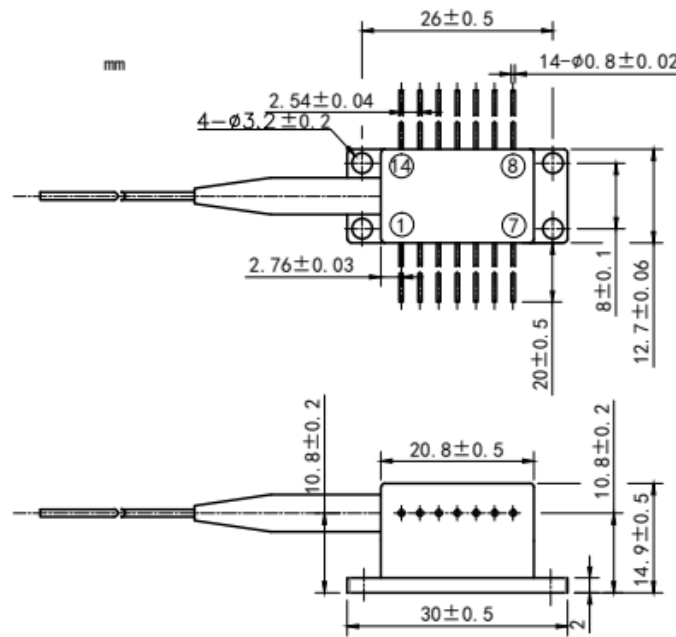


635nm 400mW Fiber Coupled Laser Diode with Butterfly (BTF) Package | Built-in TEC cooler

**635nm~638nm 400mW Pigtailed Diode Laser Module With 14-Pin Butterfly Package | Built-in PD Optional
RWLX-635-400m-M-H14-T-PD**

635nm Pigtailed Diode Laser		400mW/MM Fiber	
PARAMETER	SYMBOL	VALUE	UNIT
MAX Reverse Voltage	V_r	2.0	V
Operating Temperature	T_{op}	+10~+30	°C
Storage Temperature	T_{stg}	-40~+80	°C
Lead soldering temperature (10 sec.)	T_{is}	260	°C
Features: <ul style="list-style-type: none"> ● 638nm ● 14-Pin Butterfly Package ● Built-in TEC Cooler ● Built-in Photodiode 			
Applications: <ul style="list-style-type: none"> ● Medical Laser Treatment ● Sensor ● Others 			
Specifications	RWLX-635-400m-M-H14-T-PD		
	Min	Type	Max
Center Wavelength@25°C	630nm	638nm	645nm
Output Power		400mW	
Spectral Width (FWHM)		2nm	
Recommended Operating Temperature	25°C		
Temperature Coefficient of Wavelength	0.2nm / °C		
Threshold Current (Typ.)		160mA	210mA
Operating Current (Typ.)		700mA	750mA
Operating Voltage		2.4V	2.8V
TEC Max Current	2A		
TEC Max Voltage	8V		
Thermistor	10K		
Fiber Core	105um		
N.A.	0.22		
Fiber Connector	FC/SMA905		
Fiber Length	>80cm		
Package Style	14-Pin		

14-Pin Package View



Pin Out:

PIN	FUNCTION	PIN	FUNCTION
1	TEC(+)	14	TEC(-)
2	THERMISTOR	13	CASE
3	PD(+)	12	NC
4	PD(-)	11	LD(-)
5	THERMISTOR	10	LD(+)
6	NC	9	NC
7	NC	8	NC

Electrically shorten LD module and store in non-extreme conditions.

Suggest using the constant current power supply.

