
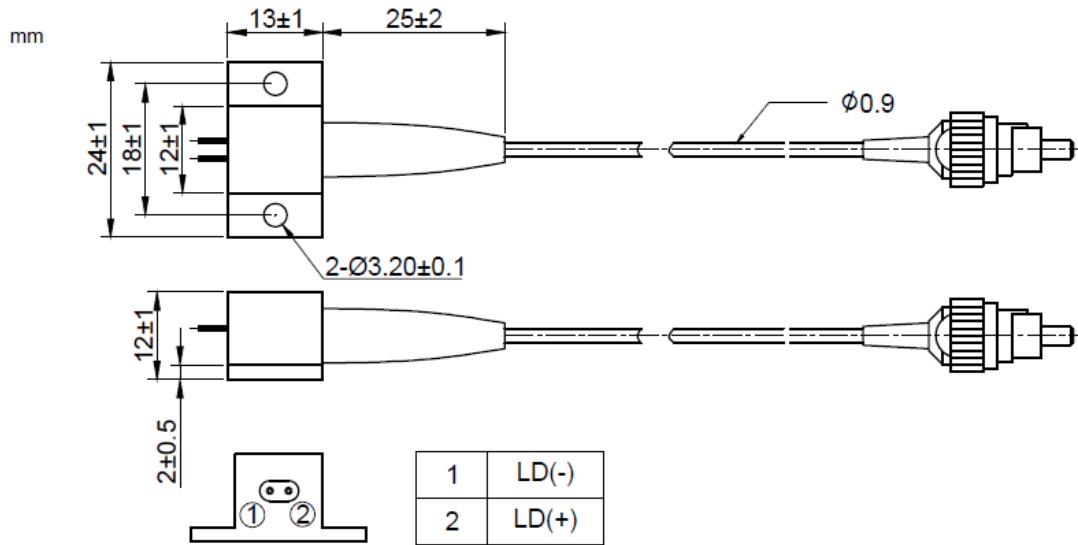


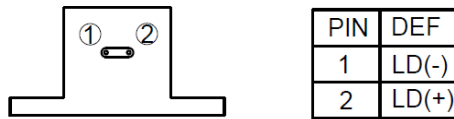
435nm 3W Fiber Coupled LD| TEC Cooling Optional| Blue Laser Diode| Coaxial Package
435nm~440nm Pigtailed Laser Diode| 105um 200um MM Fiber| Built-in PD Optional
RWLP-435-003-M

435nm Pigtailed Diode Laser		3W/MM Fiber	
PARAMETER	SYMBOL	VALUE	UNIT
Reverse Voltage	V_r	2.0	V
Operating Temperature	T_{op}	0 ~ +60	°C
Storage Temperature	T_{stg}	-40 ~ +85	°C
Lead soldering temperature (10 sec.)	T_{is}	260	°C
Features: <ul style="list-style-type: none"> 🔸 435nm 🔸 B7 Package 🔸 TEC Cooling Optional 🔸 Photodiodes Optional 			
Applications: <ul style="list-style-type: none"> 🔸 Medical Laser Treatment 🔸 Laser Show 🔸 Others 			
Specifications	RWLP-435-003-M		
	Min	Type	Max
Center Wavelength@25°C	435nm±10nm		
Spectral Width (FWHM)	----	3.0nm	----
Output Power	----	3W	----
Fiber Type	Multi-mode Fiber		
Fiber Core	105um (200um Optional)		
Recommended Operating Temperature	25°C		
Fiber Connector	FC/ST/SMA905		
Fiber Length	>80cm		
Threshold Current (Typ.)	----	0.3A	0.6A
Operating Current (Typ.)	----	3.0A	3.2A
Operating Voltage	----	4.5V	5.5V
Package Style	B7		
Built-in Photodiode	Optional		
Built-in TEC Cooling	Optional		

B7 Package View:



PIN Bottom View:



Electrically shorten LD module and store in non-extreme conditions.
Suggest using the constant current power supply.

