

4-pin Fiber Coupled

High Power Multi-Mode SemiNex Lasers
 12xx to 19xx nm
 Custom Wavelengths Available

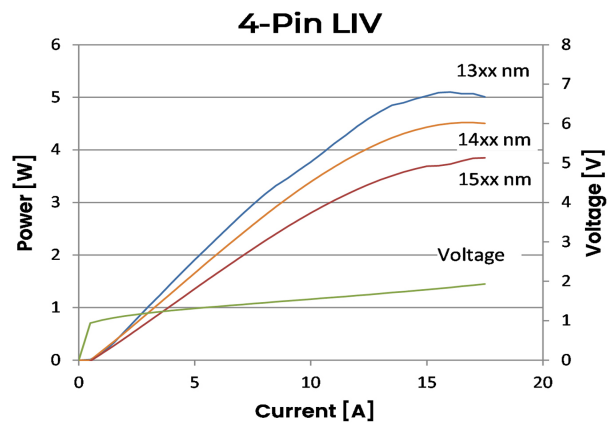
Applications

- OEM Medical
- DPSS pump source
- LiDAR
- Free Space Communications
- Military / Aerospace

Features

- Cost effective
- High Output Power
- High Dynamic Range
- High Efficiency
- Standard Low Cost Package
- Designed for Volume Applications

SemiNex delivers the highest available power at infrared wavelengths between 12xx and 19xx nm. When necessary we will further optimize the design of our InP laser chips to meet our customers' specific optical and electrical performance needs. Diodes, bars and packages are tested to meet customer and market performance demands. Typical results and packaging options are shown. Contact SemiNex for additional details or to discuss your specific requirements.



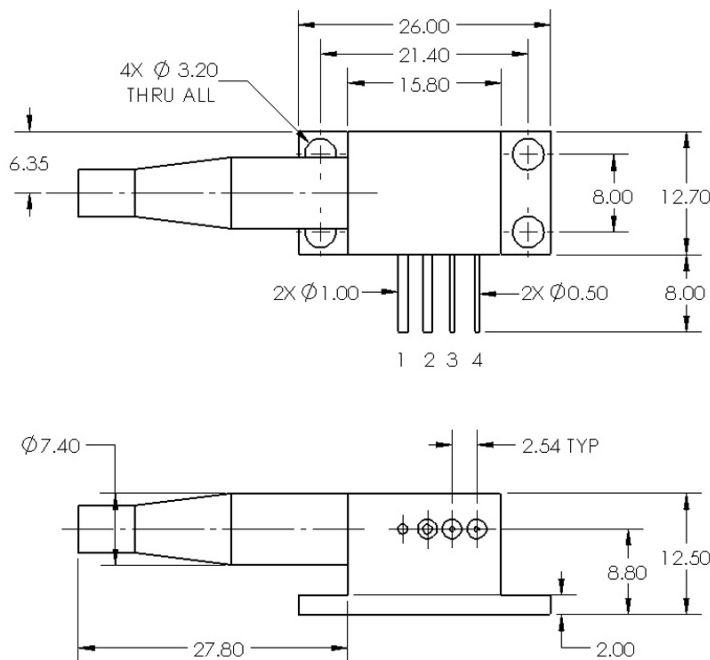


4 Pin Laser Module



	Symbol	4PN-116	Units
Optical			
Wavelength	λ_c	1320	nm (± 20)
Output Power (CW)	P_o	4.50	watts ($\pm 10\%$)
Spectral Width	$\delta\lambda$	10	nm 3dB
Slope Efficiency	η_s	0.44	W/A
Optical Fiber Core Dia.	η_c	105	μm
Optical Fiber NA		0.22	
Electrical			
Power Conversion Eff.	η	20.00	%
Threshold Current	I_{th}	0.5	A
Operating Current	I_{op}	13	A
Operating Voltage	V_{op}	1.7	V
Lead Soldering Temp.	$^{\circ}\text{C}$	250	$^{\circ}\text{C}$
Mechanical			
Weight		25	g
Operating Temp.**		-40 to 60	$^{\circ}\text{C}$
Storage Temp.		-40 to 80	$^{\circ}\text{C}$
Fiber Length		1.5	meters
Connector		SMA905 PD Stand.	
Thermistor			
Thermistor Constant	β		β
Thermistor Resistance	R		K ohm

PLEASE NOTE: The 4 Pin laser package is not electrically isolated. The package body is the anode connection. Care should be taken in mounting and installation. Specified values are rated at a constant heat sink temperature of 20°C.
 **Specified operating conditions are based on 20C heat sink temperature. High temperature operation will reduce performance and MTTF. Unless otherwise indicated all values are nominal.



PIN OUT: (FOR REFERENCE ONLY, REFER TO DOCUMENTATION SUBMITTED WITH PRODUCT FOR ACTUAL PIN OUT)

1. LD ANODE (+)
2. LD CATHODE (-)
3. PD (-) or THERMISTOR
4. PD (+) or THERMISTOR

All statements, technical information and recommendations related to the product herein are based upon information believed to be reliable or accurate. The accuracy or completeness herein is not guaranteed, and no responsibility is assumed for any inaccuracies. The user assumes all risks and liability whatsoever in connection with the use of a product or its application. SemiNex Corporation reserves the right to change at any time without notice the design, specification, deduction, fit or form of its described herein, including withdrawal at any time of a product offered for sale herein. Users are encouraged to visit www.seminex.com for the latest data. SemiNex Corporation makes no representations that the products herein are free from any intellectual property claims of others. Please contact SemiNex for more information. © 2016 SemiNex Corporation

SemiNex Corporation • 153 Andover St • Danvers, MA 01923 • 978-326-7700 • Email: info@seminex.com • www.seminex.com

Date Created: Nov 30 2023 10:07PM UTC

