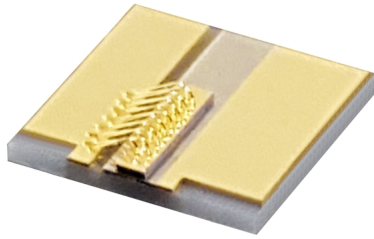
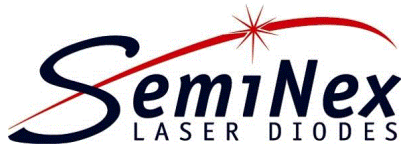


Preliminary Data Sheet



Semiconductor Optical Amplifier

High Gain SemiNex SOA
 High Saturation Output Power
 Curved or Tilted Waveguide and Array
 13xx and 15xx nm
 Custom Design and Waveguide available

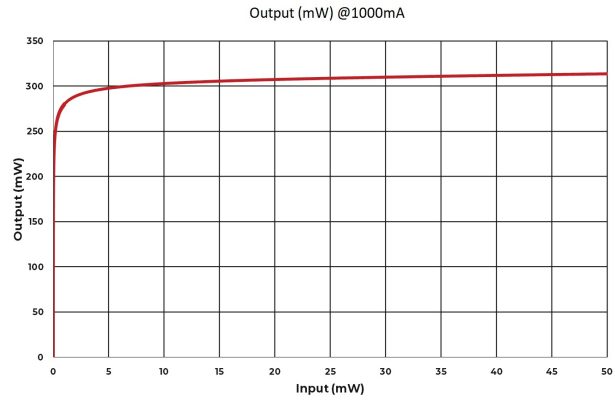
Applications

- FMCW LiDAR
- Telecom & Data Center
- Tunable Laser
- Spectroscopy
- Research

Features

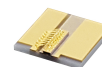
- High Gain
- High Saturation Power
- High Efficiency
- Cost Effective

SemiNex delivers SOAs with the highest gain and available saturation power at infrared wavelengths. When necessary we will further optimize the design of our InP SOA to meet our customers' specific optical and electrical performance needs. Single waveguide or arrays are tested to meet customer and market performance demands. Typical results and packaging options are shown. Contact SemiNex for additional details or performance demands.



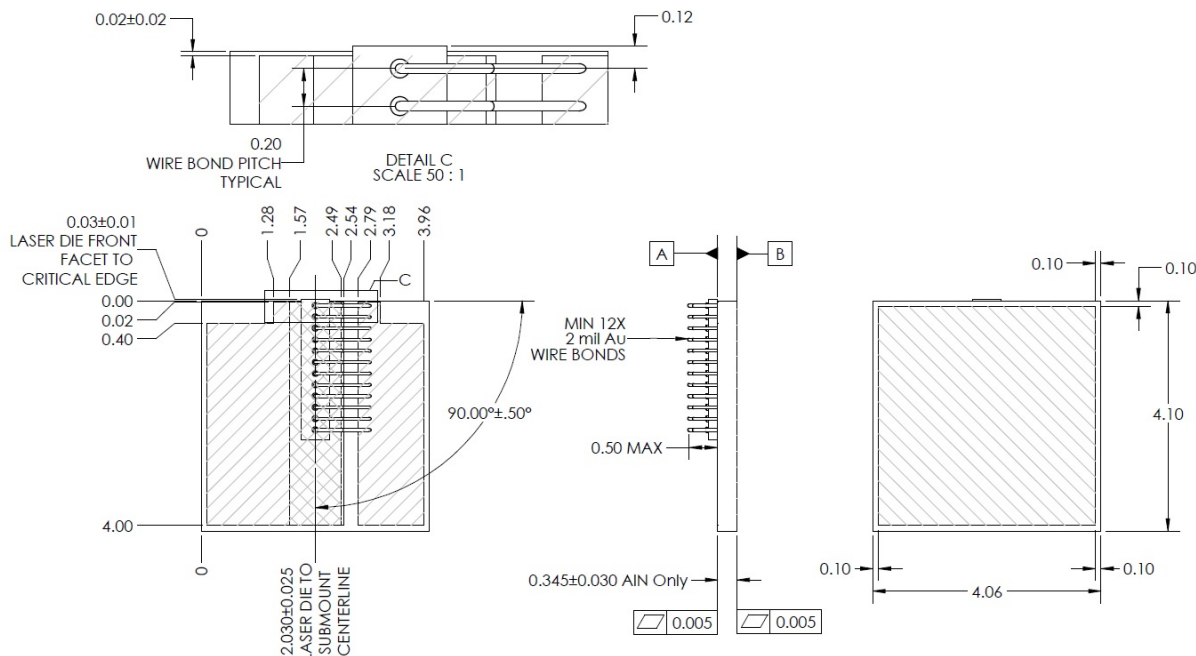


SOA Chips



	Symbol	COC-179	Units
Optical			
Wavelength	λ_c	1550	nm (± 20)
Output Power@1000mA	P_{out}	350	mW ($\pm 10\%$)
Aperture Width	AW	4	μm
Aperture Height	AH	1	μm
Spectral Width	$\delta\lambda$	85	nm @ 3dB
Gain @ $P_{in}=10\mu W$	G	40	dB
Beam Exit Angle	θ_{EXT}	19.5	degree
Noise Figure	NF	6	dB
Polarization Extinction Ratio	PER	18	dB
Fast Axis Div.	θ_{perp}	30	deg FWHM
Slow Axis Div.	$\theta_{parallel}$	20	deg FWHM
Front Facet Reflectivity		<0.1%	
Rear Face Reflectivity		98%	
Waveguide		Curved	
Electrical			
Operating Voltage	V_{op}	2	V
Operating Current	I_{op}	4	A
Mechanical			
Chip Length	CL	2500	μm
Chip Width	W	625	μm
Weight		0.05	g
Operating Temp.**		-40 to 100	$^{\circ}C$
Storage Temp.		-40 to 100	$^{\circ}C$

**Specified operating conditions are based on 20°C heat sink temperature. High temperature operation will reduce performance and MTTF.
 **Specified values are based on the P-side down configuration and rated at a constant heat sink temperature of 20°C.
 Unless otherwise indicated all values are nominal.



NOTES:

- METALIZATION:
 - A-SIDE
 - : Ti (0.06 μm NOM) / Pt (0.2±0.04 μm) / Au (0.6 μm ±0.12 μm)
 - : Pt (0.32 μm ±0.064 μm) / AuSn: Au 70±5wt% (3.0±0.6 μm)
 - B-SIDE
 - : Ti (0.06 μm NOM) / Pt (0.2±0.04 μm) / Au (0.6 μm ±0.12 μm)
- EDGE QUALITY:
 - NO BURRS AND NO CHIPPING OF AREA
 - CHIPPING OF DETAIL "C" < 40 μm
 - OTHER EDGE CHIPPING < 50 μm
- ARROW ON P-SIDE OF LASER DIE POINTS TOWARD THE FRONT FACET

All statements, technical information and recommendations related to the product herein are based upon information believed to be reliable or accurate. The accuracy or completeness herein is not guaranteed, and no responsibility is assumed for any inaccuracies. The user assumes all risks and liability whatsoever in connection with the use of a product or its application. SemiNex Corporation reserves the right to change at any time without notice the design, specification, deduction, fit or form of its described herein, including withdrawal at any time of a product offered for sale herein. Users are encouraged to visit www.seminex.com for the latest data. SemiNex Corporation makes no representations that the products herein are free from any intellectual property claims of others. Please contact SemiNex for more information. © 2016 SemiNex Corporation

SemiNex Corporation • 153 Andover St • Danvers, MA 01923 • 978-326-7700 • Email: info@seminex.com • www.seminex.com

Date Created: Nov 30 2023 10:23PM UTC

