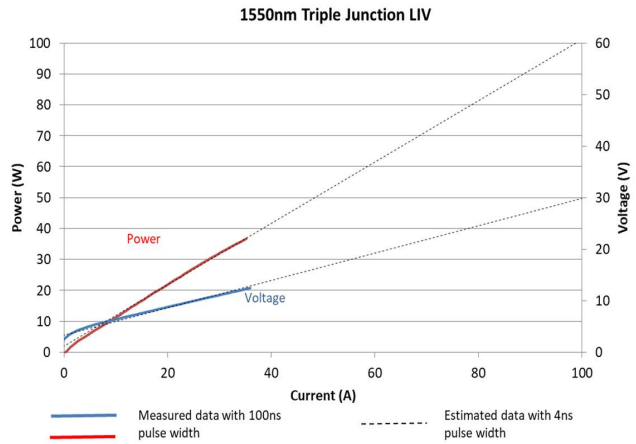
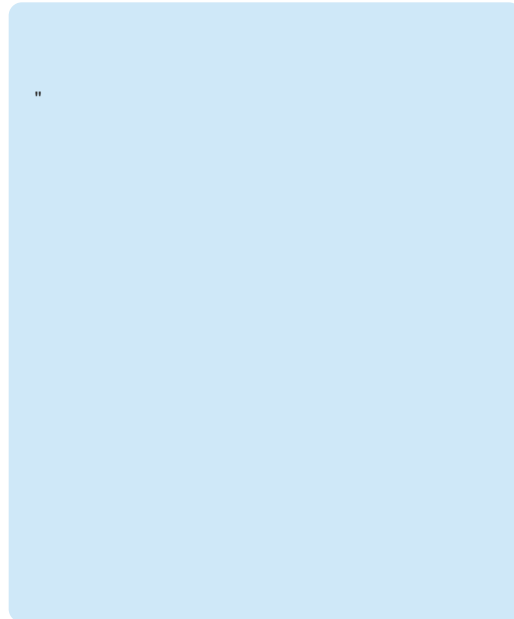
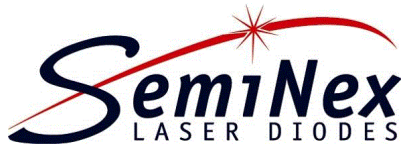


### Preliminary Data Sheet





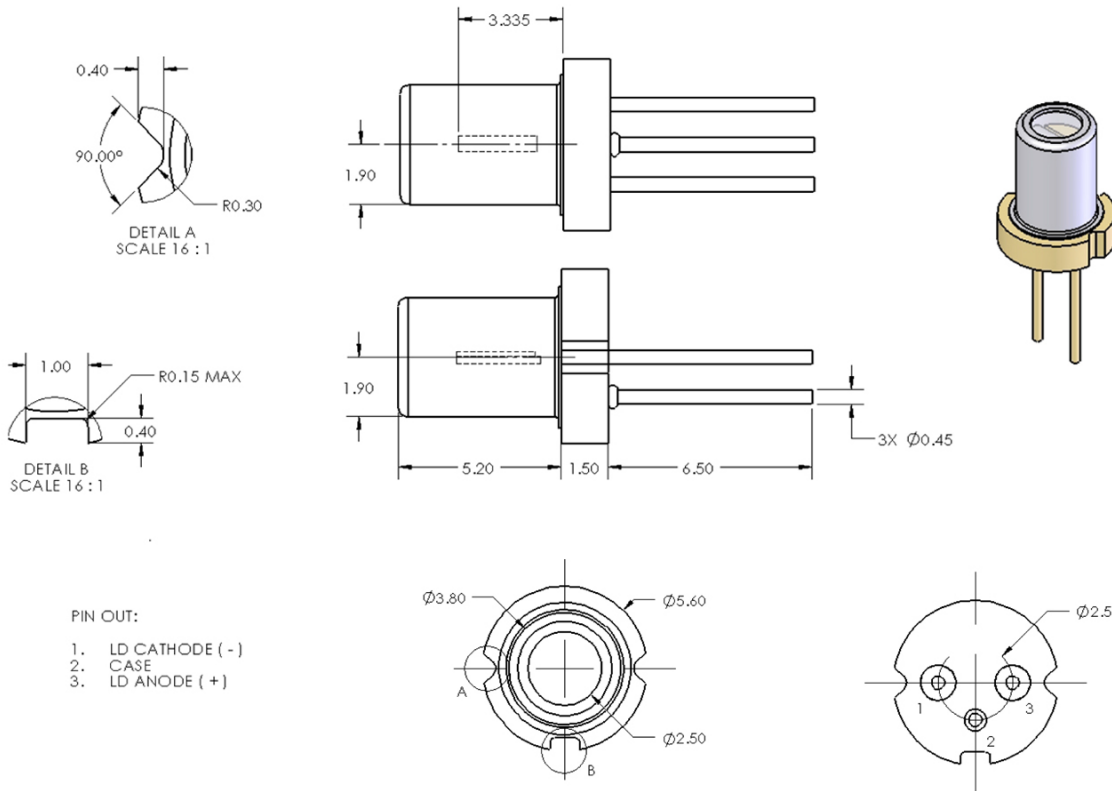


Triple Junction TO56



	Symbol	TO56x-264	Units
<b>Optical</b>			
Wavelength	$\lambda_c$	1550	nm ( $\pm 20$ )
Output Power (<10ns)	$P_o$	40.00	watts ( $\pm 10\%$ )
Output Power (150ns)	$P_o$	21.00	watts ( $\pm 10\%$ )
Cavity Length (typ.)	CL	2500	$\mu\text{m}$
No. of Junctions		3	
Emitter Width	W	50	$\mu\text{m}$
Emitter Height	H	10	$\mu\text{m}$
Operating Current (<10ns)	$I_{op}$	40	A
Operating Current (150ns)	$I_{op}$	25	A
Operating Voltage	$V_{op}$	22	V
Threshold Current	$I_{th}$	0.4	A
<b>Specifications</b>			
Spectral Width	$\delta\lambda$	22	nm 3dB
Fast Axis Div.	$\Theta_{perp}$	28	deg FWHM
Slow Axis Div.	$\Theta_{parallel}$	12	deg FWHM
Pulse Width	PW	150	ns
Duty Cycle	DC	0.1	%
<b>Mechanical</b>			
Weight		0.5	g
Operating Temp.**		-40 to 85	$^{\circ}\text{C}$
Storage Temp.		-40 to 85	$^{\circ}\text{C}$

Specified values are rated at a constant heat sink temperature of 20°C. \*\*Specified operating conditions are based on 20C heat sink temperature. High temperature operation will reduce performance and MTTF. Unless otherwise indicated all values are nominal. All TO56 products are capped. Capped TO56 specifications assume heatsinking only on flat surface where pins extend.



All statements, technical information and recommendations related to the product herein are based upon information believed to be reliable or accurate. The accuracy or completeness herein is not guaranteed, and no responsibility is assumed for any inaccuracies. The user assumes all risks and liability whatsoever in connection with the use of a product or its application. SemiNex Corporation reserves the right to change at any time without notice the design, specification, deduction, fit or form of its described herein, including withdrawal at any time of a product offered for sale herein. Users are encouraged to visit [www.seminex.com](http://www.seminex.com) for the latest data. SemiNex Corporation makes no representations that the products herein are free from any intellectual property claims of others. Please contact SemiNex for more information. © 2016 SemiNex Corporation

SemiNex Corporation • 153 Andover St • Danvers, MA 01923 • 978-326-7700 • Email: [info@seminex.com](mailto:info@seminex.com) • [www.seminex.com](http://www.seminex.com)

Date Created: Dec 1 2023 1:15PM UTC

