


**Features :**

- ◆ 635nm wavelength
- ◆ 2mW output power
- ◆ 4μm fiber core diameter
- ◆ 0.13NA
- ◆ 900nm~1200nm feedback protection

**Applications :**

- ◆ Aiming beam for fiber laser
- ◆ Printing application
- ◆ Medical use
- ◆ Scientific research

**635nm 2mW Coaxial Packaged Diode Laser**  
**RPK635-03-0.002W-00413-NA**

Specifications ( 25°C )		Symbol	Unit	RPK635-03-0.002W-00413-NA		
				Minimum		Maximum
Optical Data <sup>(1)</sup>	CW Output Power	P <sub>O</sub>	mW	2	-	-
	Center Wavelength	λ <sub>c</sub>	nm	635±10		
	Spectral Width(FWHM)	Δλ	nm	-	3	-
	Wavelength Shift with Temperature	Δλ/ΔT	nm/°C	-	0.2	-
Electrical Data	Electrical-to-Optical Efficiency	PE	%	-	12	-
	Threshold Current	I <sub>th</sub>	mA	-	30	-
	Operating Current	I <sub>op</sub>	mA	-	45	65
	Operating Voltage	V <sub>op</sub>	V	-	2.3	2.6
	Slope Efficiency	η	W/A	-	0.02	-
Fiber Data	Core Diameter	D <sub>core</sub>	μm	-	4	-
	Cladding Diameter	D <sub>clad</sub>	μm	-	125	-
	Numeric Aperture	NA	-	-	0.13	-
	Fiber Length	L <sub>f</sub>	m	-	0.7	-
	Fiber Loose Tubing Diameter	-	mm	0.9mmPVC		
	Minimum Bending Radius	-	mm	50	-	-
	Fiber Termination	-	-	FC(APC)/SC(APC) /SMA905/ST		
Feedback Isolation	Wavelength Range	-	nm	900~1200		
	Isolation	-	dB	-	30	-
Others	ESD	V <sub>esd</sub>	V	-	-	500
	Storage Temperature <sup>(2)</sup>	T <sub>st</sub>	°C	-20	-	70
	Lead Soldering Temp	T <sub>ls</sub>	°C	-	-	260
	Lead Soldering Time	t	sec	-	-	10
	Operating Case Temperature <sup>(3)</sup>	T <sub>op</sub>	°C	15	-	35
	Relative Humidity	RH	%	15	-	75

(1) Data measured under operation output at 2mW@25°C.

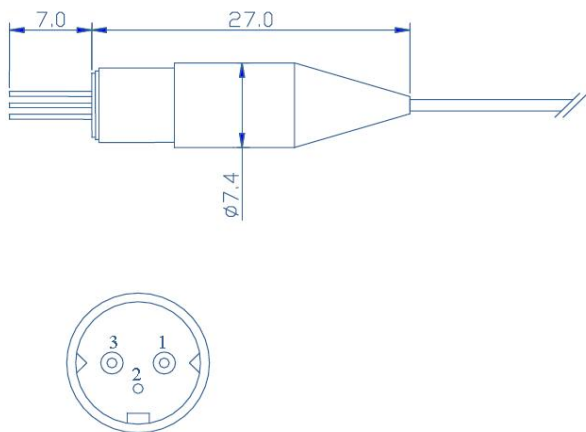
(2) A non-condensing environment is required for operation and storage.

(3) Operating temperature defined by the package case. Acceptable operating range is 15°C~35°C, but performance may vary.

## 635nm 2mW Coaxial Packaged Diode Laser

### RPK635-03-0.002W-00413-NA

#### Package Dimensions (mm)



Pin	Function
1	LD (-)
2	LD (+)/Case
3	-

#### OPERATING NOTES

- ◆ Avoid eye and skin exposure to direct radiation during operation.
- ◆ ESD precautions must be taken during storage, transportation and operation.
- ◆ Short-circuit is required between pins during storage and transportation. to the middle of the pins. Soldering temperature should be lower than 260°C and time shorter than 10 second. cutting the fiber.
- ◆ Laser diode must work with good cooling.
- ◆ Operation temperature ranges from 15°C to 35°C .
- ◆ Storage temperature ranges from -20°C to +70°C.



**Declaration:** information and specifications contained herein are deemed to be reliable and accurate. BWT Beijing reserves the right to change, alter or modify the design and specifications of these products at any time without notice.24-6