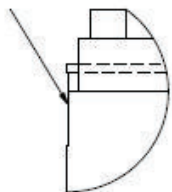
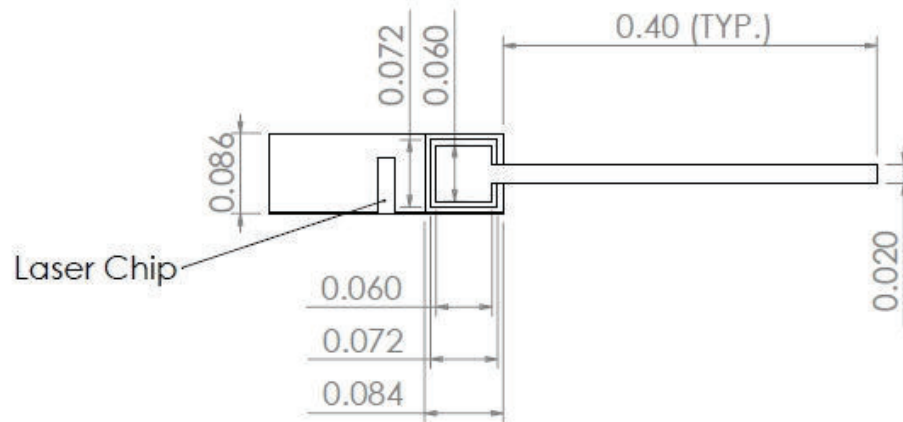


Relief Cut  
0.002"



DETAIL A  
SCALE 8 : 1

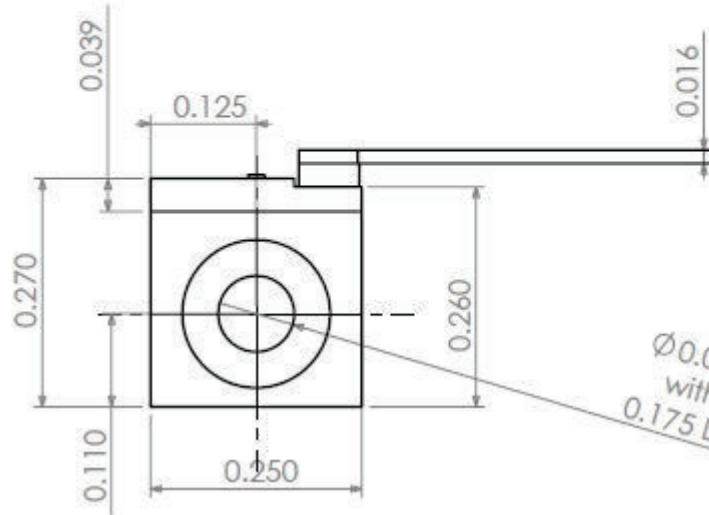
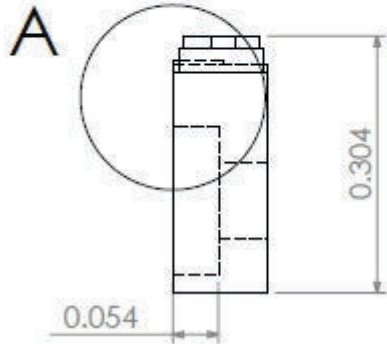


Note:  
Material: OFHC Copper

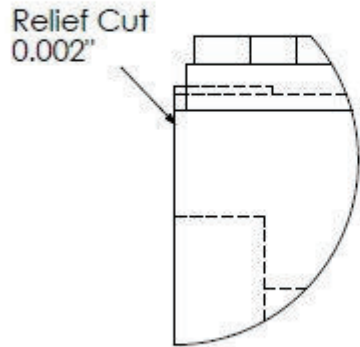
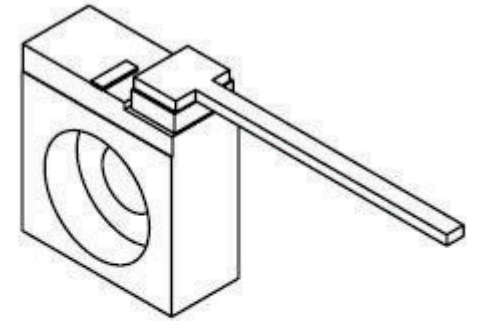
Title: C- Mount Standard

LDX Optronics Inc

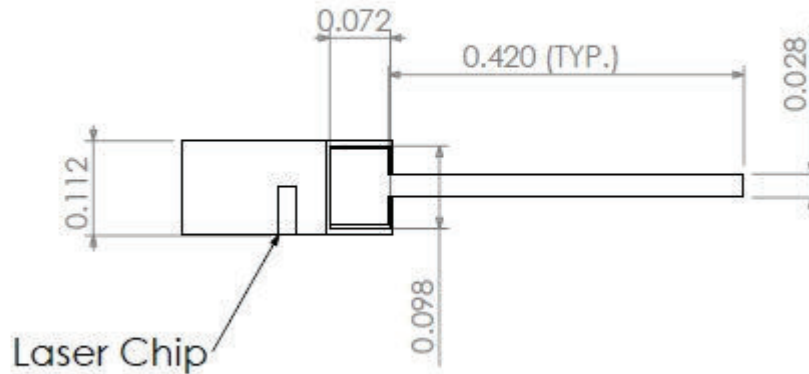
Date:



$\varnothing 0.090$  Through Hole  
with Counterbore  
0.175 Dia., 0.054 Deep



DETAIL A  
SCALE 8 : 1

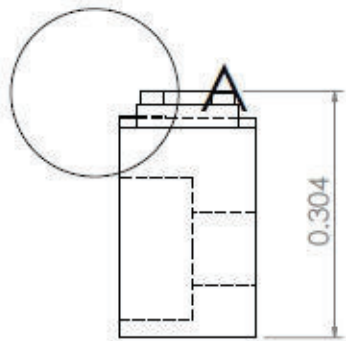


Note:  
1. Material: OFHC Copper

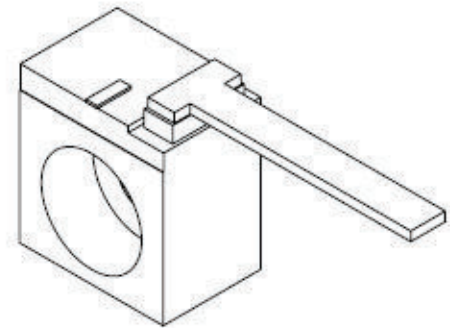
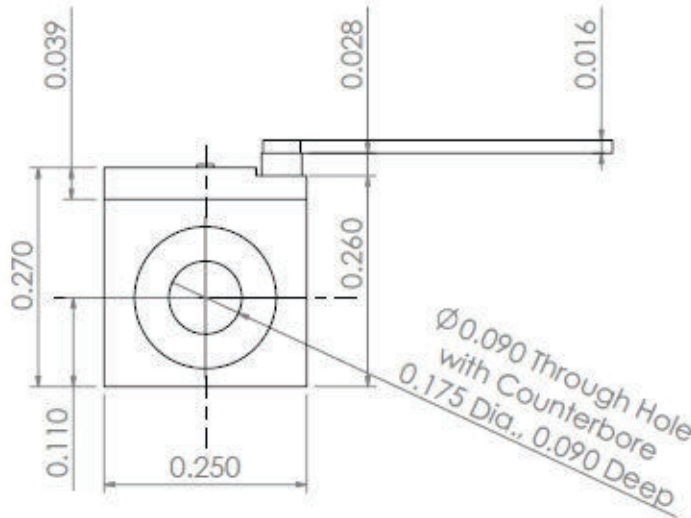
Title: C- Mount Medium

LDX Optronics Inc

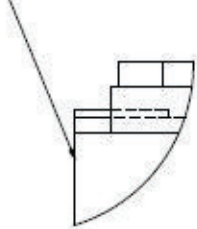
Date:



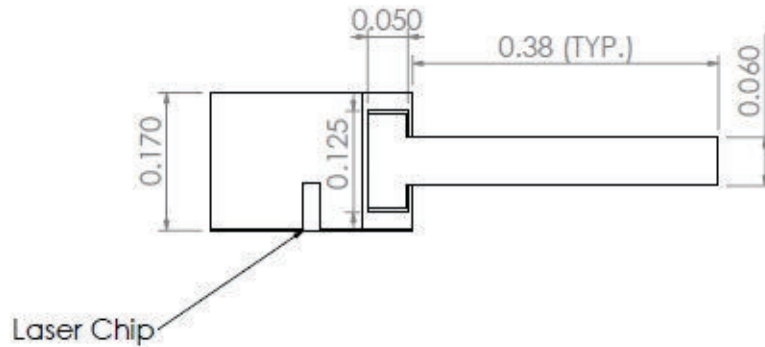
0.304



Relief Cut  
0.002"



DETAIL A  
SCALE 8 : 1



Note:  
1. Material: OFHC Copper

Title: C-Mount Thick

LDX Optronics Inc

Date: